

CRS03 (unpackaged)

Angular Rate Sensor



A robust and affordable mass-produced gyroscope for automotive and commercial customers.

Angular rate sensors are used wherever rate of turn sensing is required without a fixed point of reference. The sensor will output a DC voltage proportional to the rate of turn and input voltage.

High performance motion sensing even under severe shock and vibration.

Whatever your application, the unique silicon ring technology, coupled with closed loop electronics, gives advanced and stable performance over time and temperature, overcoming the mount sensitivity problems experienced with simple beam or tuning fork based sensors.

Key Features

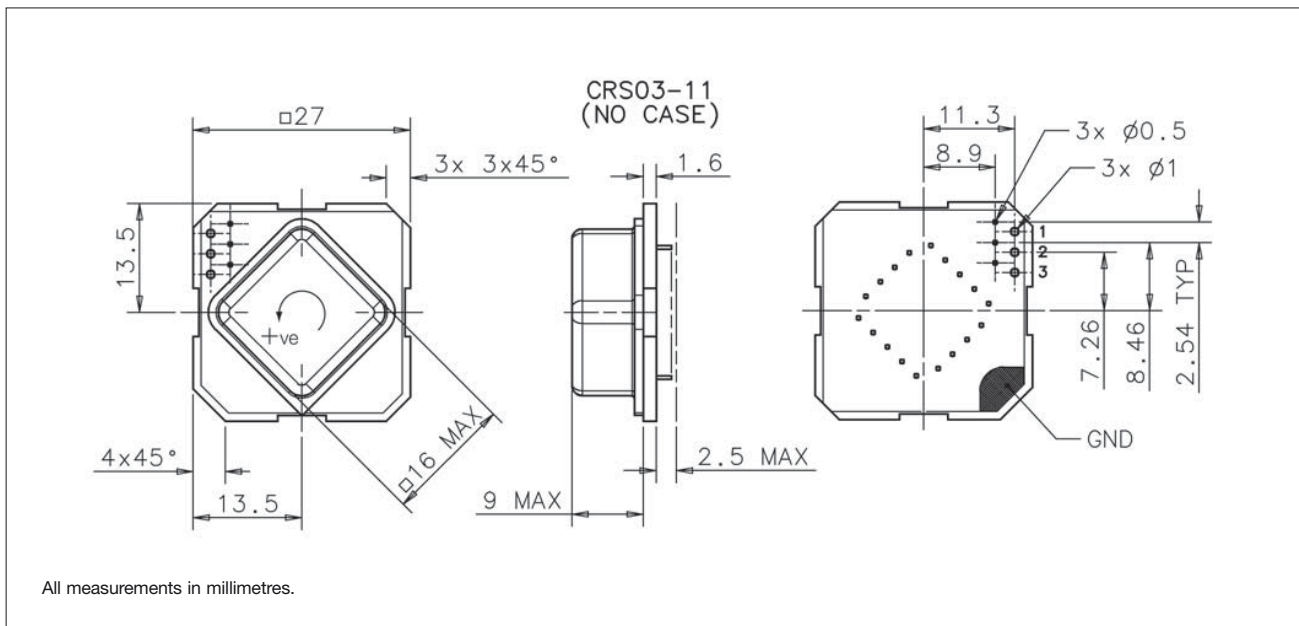
- High rate range $\pm 573^\circ/\text{s}$
- Excellent performance over temperature
- Repeatable drift characteristic
- High shock and vibration operation
- Packaged options
- Other rate ranges available



© Silicon Sensing is an Atlantic Inertial Systems, Sumitomo Precision Products joint venture company

CRS03 (unpackaged)

Angular Rate Sensor



Typical Data

	CRS03-11S
Angular Rate Range	$\pm 573^\circ/\text{s}$
Output	Analogue voltage (ratiometric)
Scale Factor	
Nominal	3.49mV/ $^\circ/\text{s}$
Variation over temperature range	< $\pm 5\%$
Nonlinearity	< $\pm 0.5\%$ of full scale
Bias	
Setting tolerance	< $\pm 30^\circ/\text{s}$
Variation over temperature range	< $\pm 30^\circ/\text{s}$
Ratiometric error	< $\pm 1^\circ/\text{s}$
Drift vs. time	< $\pm 0.55^\circ/\text{s}$ in any 30s period (after start-up time)
g sensitivity	< $\pm 0.1^\circ/\text{s}/\text{g}$ on any axis
Bandwidth	55Hz (-3dB)
Quiescent Noise	< 1mV rms
Environment	
Temperature	-20°C to +60°C
Linear acceleration	< 100g
Shock	200g (1ms, 1/2 sine)
Vibration	2g rms (20Hz to 2kHz, random)
Cross-axis sensitivity	< 5%
Mass	< 10 gram
Electrical	
Supply voltage	+4.75V to +5.25V
Supply current	< 35mA (steady state)
Noise and ripple	< 15mV rms (DC to 100Hz)
Start-up time	< 0.2s
RoHS Compliance	Yes (R & S suffix)

Pin Connections

1	+5V
2	0V
3	Rate Output

Specification subject to change without notice.

© Copyright 2009
Silicon Sensing Systems Limited
All rights reserved.
Printed in England 02/09

Silicon Sensing Systems Limited Registered in England & Wales No. 3635234 Cliffatford Road, Southway, Plymouth, Devon PL6 6DE
The device mark Silicon Sensing is a registered trade mark of Silicon Sensing Systems Community Trade Mark 003587664

CRS03-00-0100-132 Rev 1
DCR No. 617013



ALTHEN GmbH Mess- und Sensortechnik

Frankfurter Strasse 150 - 152
65779 Kelkheim / Germany

phone: +49 (0)6195 70060
fax: +49 (0)6195 700666

sales@althensensors.com
www.althensensors.com