

# LM



- 316L SS Pressure Sensor with PVC Threads
- Small Profile
- 0.5 - 4.5V High Level Output
- Gage
- ASIC Calibrated

## DESCRIPTION

The LM Series incorporates stainless steel and plastic isolation suitable for level sensing in water and other liquids. The LM series uses a patent pending low cost stainless steel sensor in a PVC plastic fitting. The modular design is adaptable to an infinite number of plastic port variations. With high performance in a small form factor, the LM Series enables the miniaturization of high accuracy pressure systems. The standard output is .5V to 4.5V with a 5V supply.

## FEATURES

- Threaded Process Fitting
- -20°C to +85°C Operating Temperature Range
- $\pm 1\%$  Pressure Non Linearity
- $\pm 3.0\%$  Total Error Band
- Solid State Reliability

## APPLICATIONS

- Irrigation
- RV and Marine Holding Tank Level
- Water Storage & Recycling Systems
- Small Tank Fluid Level
- Chillers & Evaporative Coolers

## STANDARD RANGES

Range	psig	Range	Bar
0 to 1	•	0 to .07	•
0 to 2	•		
0 to 5	•	0 to .35	•
0 to 15	•	0 to 1	•
0 to 30	•	0 to 2	•
0 to 50	•	0 to 5	•
0 to 100	•	0 to 7	•
0 to 150	•	0 to 10	•

## PERFORMANCE SPECIFICATIONS

Supply Voltage: 5.0Vdc

Ambient Temperature: 25°C (unless otherwise specified)

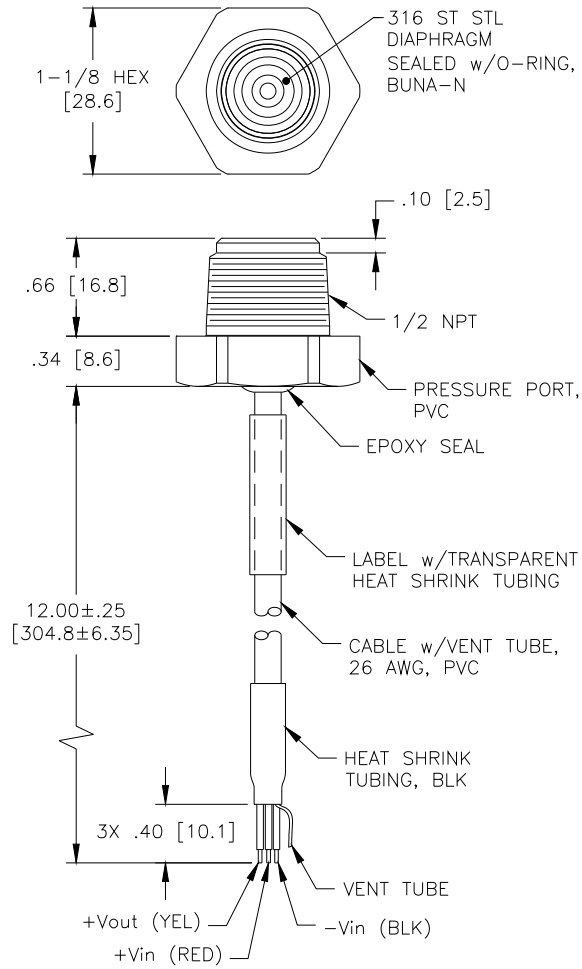
PARAMETERS	MIN	TYP	MAX	UNITS	NOTES
Full Scale Output		4.5		V	1
Zero Pressure Output		0.5		V	1
Pressure Non Linearity	-1	±0.25	1	%Span	2
Pressure Hysteresis	-0.1		0.1	%Span	
Repeatability		±0.02		%Span	
Accuracy (combined linearity, hysteresis, & repeatability)		±0.3		%Span	2
Temperature Error – Span	-1.5		1.5	%Span	3
Temperature Error – Zero	-1.5		1.5	%Span	3
Total Error Band (includes calibration errors above & temperature effects over the compensated range)			±3 (>5psi) ±5 (5psi) ±7 (<5psi)	%Span	
Supply Voltage	4.75	5.00	5.25	V	
Supply Current	2.0	2.5	3.0	mA	
Insulation Resistance (50Vdc)	50			MΩ	4
Pressure Overload			3X	Rated	5
Compensated Temperature	0		40	°C	
Operating Temperature	-20		+85	°C	
Weight			11	grams	
Media – Pressure Port	Liquids and Gases compatible with 316L Stainless Steel and Buna-N O-Ring				
Media – Reference Port	Compatible with Silicon, Pyrex, Gold, Epoxy, Fluorosilicone RTV, FR-4, and 316L Stainless Steel				

### Notes

1. Ratiometric to supply voltage.
2. Best fit straight line.
3. Maximum temperature error between 0 °C and 40 °C with respect to 25 °C. ±2% maximum for devices below 5psi and .07Bar.
4. Between case and cable.
5. 3X maximum not to exceed 150 psi. 20 psi for 5 psi and lower.

## DIMENSIONS

ALL DIMENSIONS IN INCHES [mm]



## CONNECTIONS

