

### Abrasive Material Transducer

P6420-XXX-57

The P6420 is a pressure transducer having a two wire, 4 - 20mA output. It is available in standard ranges from 5 bar to 100 bar SG, or may be scaled to customer requirements.

#### DESCRIPTION

The P6420 pressure transducer is based on a four active arm strain gauge bridge fused to a high purity ceramic diaphragm, offering high natural output coupled with superb chemical and corrosion resistance. It has been designed primarily for use with concrete slurry and other abrasive fluids and has a cavity free, flush sensing diaphragm covered by a flexible polypropylene shield.

It offers a two wire, 4 - 20mA output proportional to fluid pressure with other outputs available as options. The sensing element and its associated electronics are housed in a rugged stainless steel case.

#### FEATURES

- Superb chemical and corrosion resistance
- 4-20mA, two wire operation
- Unrivalled abrasion resistance
- Wide temperature range
- High electrical isolation
- Rugged construction
- Excellent long term stability
- Temperature compensated

#### APPLICATIONS

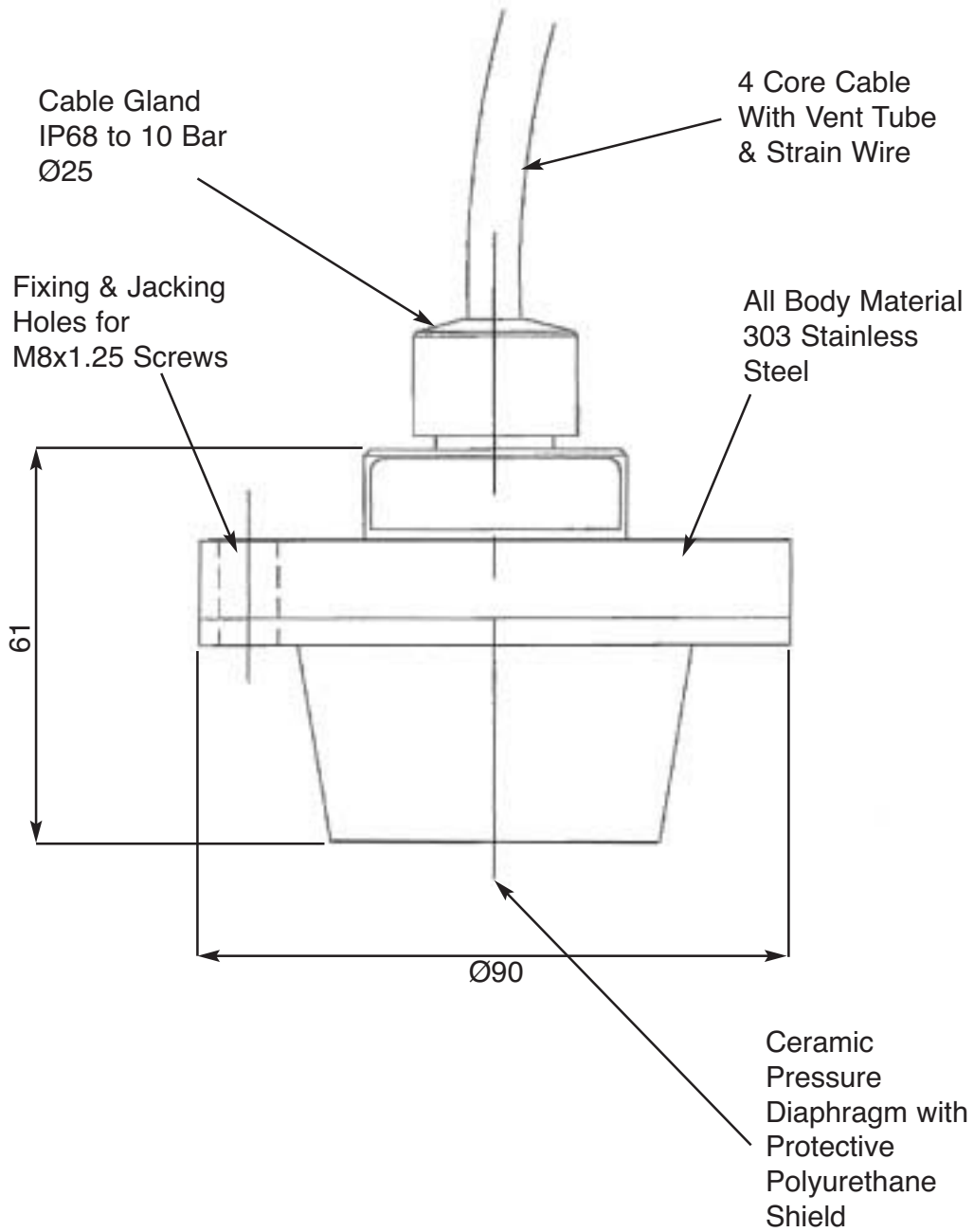
- Concrete pumping & other abrasive applications

#### SPECIFICATION

Pressure range	5,10, 20, 50 & 100 bar SG and G
Excitation	10-32Vdc unregulated
Output	Span 16mA $\pm$ 1% of span at pressure
Zero	4mA $\pm$ 1% of span at zero pressure
Non linearity, hysteresis & Repeatability (NLH)	$\leq$ $\pm$ 1.00% of span (best fit straight line)
Operating Temp Range	-25°C to +100°C
Safe Over-range	1 1/2 times rated range
Burst Pressure	3 times rated range minimum
Insulation/Isolation Resistance	>500M $\Omega$ at 500Vdc, over the operable temperature range
Loading Driving	1K $\Omega$ @ 28Vdc supply
Environmental Protection	IP68 to 10bar
Electrical Connections	Armoured Cable



## DIMENSIONAL DETAILS



Every effort has been made during the preparation of this document to ensure the accuracy of statements and specifications. However, we do not accept liability for damage, injury, loss or expense caused by errors or omissions made. We reserve the right to withdraw or amend products or documentation without notice.



0043



CERTIFICATE NO. 22358