

## Canister Type Compression Load Cell ABCCU Series

- Capacity 0...10 t to 0...50 t
- High accuracy
- Double convex type
- Insensitive to side load
- High alloy steel construction



The ABCCU series are hermetically sealed canister cells designed for compression service only. They are ideal for applications where optimum precision is needed. The ABCCU series maintain their accuracy over a large range of temperature and withstand severe conditions such as moisture, dust and vibration.

**Ordering Information:**      **ABCCU**      -      **10T**  
Model                              -      Capacity

### Specifications

Model	ABCCU
Rated capacity (R.C.):	10 t (98,07 kN), 20 t (196,1 kN), 30 t (294,2 kN), 50 t (490,3 kN)
Rated output (R.O.):	1,5 mV/V $\pm$ 0,1%
Non-linearity:	$\leq$ 0,02% R.O.
Hysteresis:	$\leq$ 0,02% R.O.
Non-repeatability:	$\leq$ 0,02% R.O.
Creep error:	$\leq$ 0,02% in 20 min.
Zero balance:	$\leq$ 1% R.O.
Compensated temperature range:	-10...70°C
Operating temperature range:	-20...80°C
Temp. effect on rated output:	$\leq$ 0,02% load/10 K
Temp. effect on zero balance:	$\leq$ 0,02% R.O./10 K
Terminal input resistance:	350 $\Omega$ $\pm$ 3,5 $\Omega$
Terminal output resistance:	350 $\Omega$ $\pm$ 5 $\Omega$
Insulation resistance (Min.):	2000 M $\Omega$ at 50 VDC
Excitation voltage:	10 V (recommended) / 15 V (max.)
Electrical connection:	$\varnothing$ 9mm x 5m (22AWG x 4 core shielded)
Protection class:	meets IP67
Safe overload:	150% R.C.
Ultimate overload:	300% R.C.

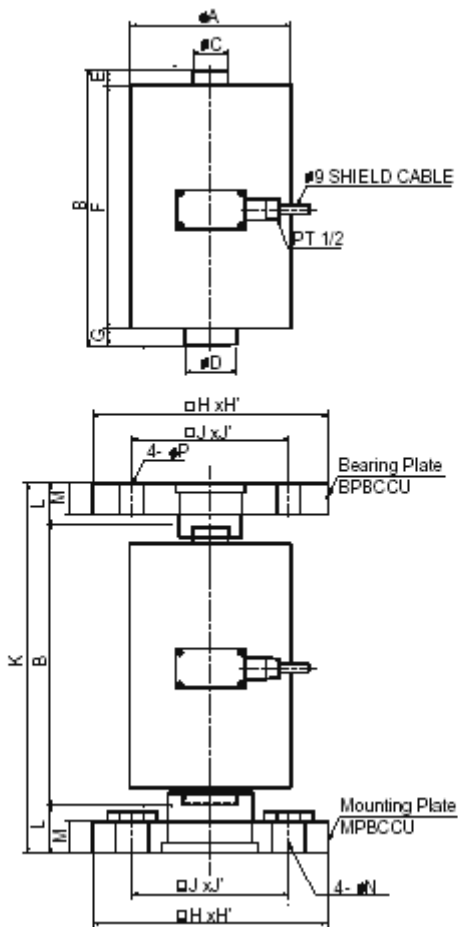
### ALTHEN GmbH Mess- und Sensortechnik

Frankfurter Str. 150 - 152  
D-65779 Kelkheim

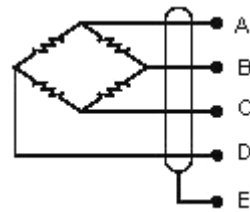
Tel. : +49(0)6195 70060  
Fax: +49(0)6195 700666

<http://www.althen.de>  
E-Mail: [verkauf@althen.de](mailto:verkauf@althen.de)





### Wiring Information:



- A: red: + Excitation
- B: green: + Signal
- C: white: - Excitation
- D: blue: - Signal
- E: bare: GND

### Dimensions in mm

Rated Capacity	A	B	C	D	E	F	G	HxH'	JxJ'	K	L	M	N	P	Bearing Plate	Mounting Plate	Weight [kg]
10 t (98,07 kN)	125	215	28	40	11	190	14	200x170	140x110	274	29,5	19	30	24	BPCCU1	MPCCU1	11,0
20 t (196,1 kN)	135	247	33	47	12	215	20	200x170	140x110	330	41,5	22	30	24	BPCCU2	MPCCU2	13,7
30 t (294,2 kN)	160	293	40	55	12	261	20	240x200	180x140	400	53,5	25	34	28	BPCCU3	MPCCU3	22,8
50 t (490,3 kN)	175	321	55	66	17	284	20	255x215	195x155	445	62	25	34	28	BPCCU4	MPCCU4	30,1

\*Specifications are subject to change without notice/Copyright Althen 03-2006

ABCCU

### ALTHEN GmbH Mess- und Sensortechnik

Frankfurter Str. 150 - 152  
D-65779 Kelheim

Tel. : +49(0)6195 70060  
Fax: +49(0)6195 700666

<http://www.althen.de>  
E-Mail: [verkauf@althen.de](mailto:verkauf@althen.de)

