

## ABCH Compression Load Cell

- ▣ Measurement ranges from 0 ... 1 t to 0 ... 50 t
- ▣ Compression
- ▣ Non-linearity 0.5 % RO
- ▣ Output signal 1.0 mV/V  $\pm$ 1.0 %
- ▣ Supply voltage 10 VDC, max. 15 VDC



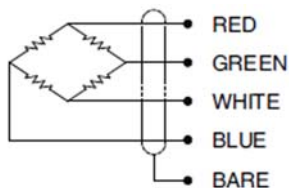
The ABCH series is designed for the load control and the monitoring during the power inserting using the press. It is also designed user-friendly; each 4 threaded holes, on top and bottom, with the flange type are very helpful while the installation.

- Robust high capacity design
- High alloy steel construction

### ▣ Specifications

Rated capacity (RC):	1 t, 2 t, 3 t, 5 t, 10 t, 20 t, 30 t, 50 t
Non-linearity:	$\leq$ 0.5 % RO
Hysteresis:	$\leq$ 0.5 % RO
Creep, 20 min:	$\leq$ 0.5 %
Non-repeatability:	$\leq$ 0.5 % RO
Rated output (RO):	1.0 mV/V $\pm$ 1.0 %
Zero balance:	1 % RO
Temperature effect on rated output:	$\pm$ 0.03 % load/10 K
Temperature effect on zero balance:	$\pm$ 0.03 % RO/10 K
Compensated temperature range:	-10 ... +70 °C
Operating temperature range:	-20 ... +80 °C
Supply voltage, recommended:	10 VDC
Supply voltage max.:	15 VDC
Terminal input resistance:	350 $\Omega$ $\pm$ 10 $\Omega$
Terminal output resistance:	350 $\Omega$ $\pm$ 10 $\Omega$
Insulation resistance, min.:	2000 M $\Omega$ at 50 VDC
Safe overload:	150 % RC
Ultimate overload:	300 % RC
Environmental sealing:	meets IP64
Electrical connection:	$\varnothing$ 7 mm x 6 m (22AWG x 4-core, shielded)

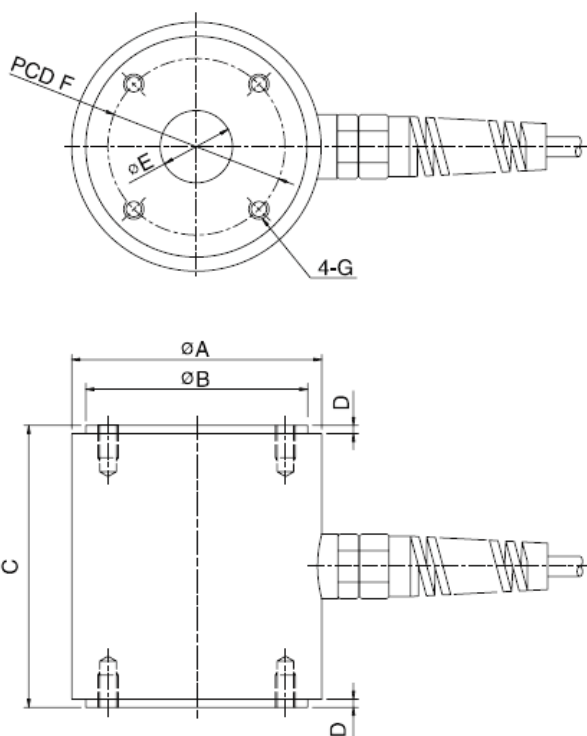
### ▣ Wiring



#### Wiring Information

red	+ supply voltage
green	+ output signal
white	- supply voltage
blue	- output signal
bare	screen

## ■ Dimensions



Dimensions in „mm“, approx. values

These drawings are for information only and not intended for construction purpose.

Please contact us for detailed drawings.

Rated capacity	A	B	C	D	E	F	G	Weight, approx.
<b>1 t</b> (9.81 kN)	62	55	70	2	18	44	2x4-M5x0.8P, depth 8	0.95 kg
<b>2 t</b> (19.61 kN)	62	55	70	2	18	44	2x4-M5x0.8P, depth 8	1.0 kg
<b>3 t</b> (29.42 kN)	62	55	70	2	18	44	2x4-M5x0.8P, depth 8	1.0 kg
<b>5 t</b> (49.03 kN)	62	55	70	2	18	44	2x4-M6x1P, depth 8	1.0 kg
<b>10 t</b> (98.07 kN)	62	55	80	2	18	44	2x4-M6x1P, depth 8	1.3 kg
<b>20 t</b> (196.1 kN)	88	80	100	2	20	60	2x4-M8x1.25P, depth 12	2.9 kg
<b>30 t</b> (294.2 kN)	100	90	120	2	20	70	2x4-M8x1.25P, depth 15	4.6 kg
<b>50 t</b> (490.3 kN)	134	120	150	2	30	90	2x4-M10x1.5P, depth 16	11 kg

## ■ Ordering Information

ABCH-xxT	Capacity xx =
	1 = 1 t
	2 = 2 t
	3 = 3 t
	5 = 5 t
	10 = 10 t
	20 = 20 t
	30 = 30 t
	50 = 50 t

Due to continual product development, ALTHEN and partners reserve the right to vary the foregoing details without prior notice.