

ABMK

Weigh Module for Hopper, Bin and Tank

- ▣ Measurement ranges from 0 ... 200 kg to 0 ... 5 t
- ▣ Compression
- ▣ Non-linearity 0.03 % RO
- ▣ Output rationalised 3 mV/V or 2 mV/V ± 0.25 %
- ▣ Supply voltage 10 VDC, max. 15 VDC



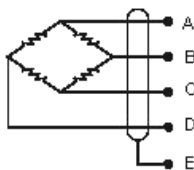
The weigh modules ABMD are specially designed for weighing applications of hoppers, bins and tanks.

- Self centering design for accurate weighing.
- Self checking and overlift protection structure for no check rods needed.
- Fully welded stainless steel load cell or fully sealed nickel plated load cells.
- Stainless steel or zinc plated steel mounting kit.

▣ Specifications

Model	ABKM11	ABMK21, ABMK22
Rated capacity (RC):	200 kg, 500 kg, 1 t, 2 t, 3 t, 5 t	
Non-linearity:	≤ 0.03 % RO	
Hysteresis:	≤ 0.02 % RO.	
Creep, 20 min:	≤ 0.03 %	
Non-repeatability:	≤ 0.02 % v.E.	
Rated output (RO):	3 mV/V ± 0.25 %	2 mV/V ± 0.25 %
Load cell model	AOSBK, AOSBH	AOSW
Zero balance:	≤ 1 % RO	
Temperature effect on rated output:	≤ 0.02 % load/10 K	
Temperature effect on zero balance:	≤ 0.03 % RO/10 K	
Compensated temperature range:	-10 ... +70 °C	
Operating temperature range:	-20 ... +80 °C	
Supply voltage, recommended:	10 VDC	
Supply voltage max.:	15 VDC	
Terminal input resistance:	400 Ω ± 20 Ω	
Terminal output resistance:	350 Ω ± 5 Ω	
Insulation resistance, min.:	2000 M Ω at 50 VDC	
Safe overload:	150 % RC	
Ultimate overload:	300 % RC	
Environmental sealing:	meets IP67	meets IP68
Electrical connection:	22AWG x 4-core, shielded <div style="display: flex; justify-content: space-between;"> Capacity up to 2 t \varnothing 5 mm x 3 m (Standard), 6 m (Option) </div> <div style="display: flex; justify-content: space-between;"> Capacity from 3 t \varnothing 5 mm x 6 m </div>	

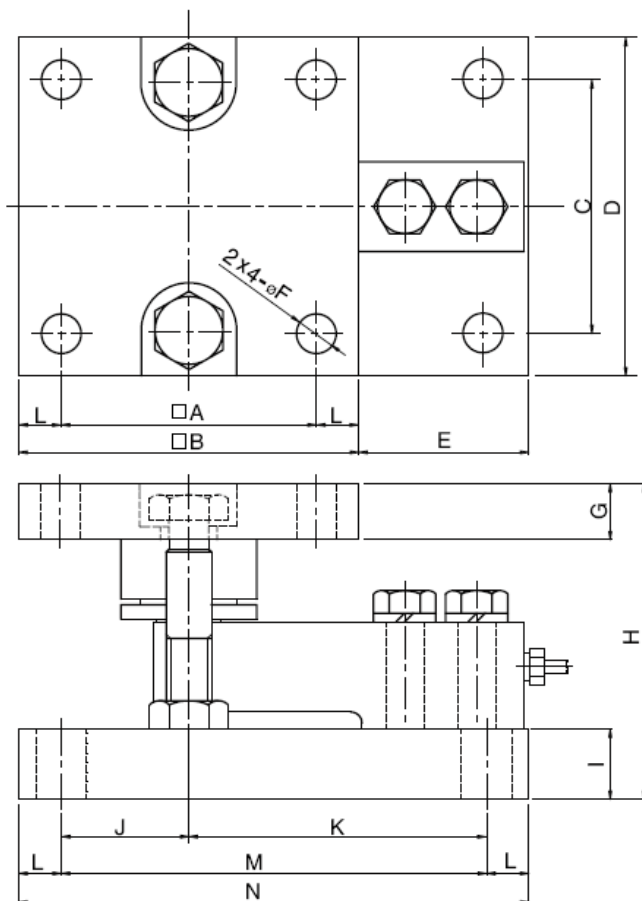
▣ Wiring



Wiring Information

A	red	+ supply voltage
B	green	+ output signal
C	white	- supply voltage
D	blue	- output signal
E		GND

■ Dimensions



Dimensions in „mm“, approx. values

These drawings are for information only and not intended for construction purpose.
Please contact us for detailed drawings.

Rated Capacity	A	B	C	D	E	F	G	H	I	J	K	L	M	N	Weight [kg]
200 kg to 2 t (1.96 kN 1 to 19.6 kN)	90	120	90	120	60	14	20	107	20	45	105	15	150	180	8.0
3 t to 5 t (29.4 kN bis 49.0 kN)	110	150	110	150	80	18	25	135	30	55	135	20	190	230	15.0

■ Ordering Information

ABMKyy-xx	
Model yy	Capacity xx
11 = AOSBK Load Cell + Zinc Plated Steel Mtg Kit	200 = 200 kg
21 = AOSW Stainless Steel Load Cell + Zinc Plated Steel Mtg Kit	500 = 500 kg
22 = AOSW Stainless Steel Load Cell + Stainless Steel Mtg Kit	1T = 1 t
	2T = 2 t
	3T = 3 t
	5T = 5 t

Due to continual product development, ALTHEN and partners reserve the right to vary the foregoing details without prior notice.