

Pillow block type load cell ABTA Series

- Capacity 0...5 kN to 0...50 kN
- Overload capability of 450% of rated capacity without zero shift
- Excellent linearity from zero through entire measuring range
- Electroless nickel plated for corrosion resistance and fully sealed to IP67
- Full temperature compensation



The ABTA series, used in metal processing lines and other hostile industrial applications, accurately and reliably measure strip tension, and are designed to mount directly under the roll bearing pillow blocks.

Ordering Information: **ABTA** - **10kN**
Model - Capacity

Specifications

Model	ABTA
Rated capacity (R.C.):	5 kN, 10 kN, 16 kN, 20 kN, 30 kN, 50 kN
Rated output (R.O.):	1 mV/V \pm 0,25%
Non-linearity:	\leq 0,2% R.O.
Hysteresis:	\leq 0,2% R.O.
Non-repeatability:	\leq 0,1% R.O.
Creep error:	\leq 0,1% in 20 min.
Zero balance:	\leq 1% R.O.
Compensated temperature range:	-10...70°C
Operating temperature range:	-20...80°C
Temp. effect on rated output:	\leq 0,03% load/10 K
Temp. effect on zero balance	\leq 0,03% R.O./10 K
Terminal input resistance:	350 Ω \pm 3,5 Ω
Terminal output resistance:	350 Ω \pm 5 Ω
Insulation resistance (Min.):	2000 M Ω at 50 VDC
Excitation voltage:	10 V (recommended) / 15 V (max.)
Electrical connection:	\varnothing 9mm x 6m (22AWG x 4 core shielded)
Protection class:	meets IP67
Safe overload:	450% R.C.
Ultimate overload:	900% R.C.

ALTHEN GmbH Mess- und Sensortechnik

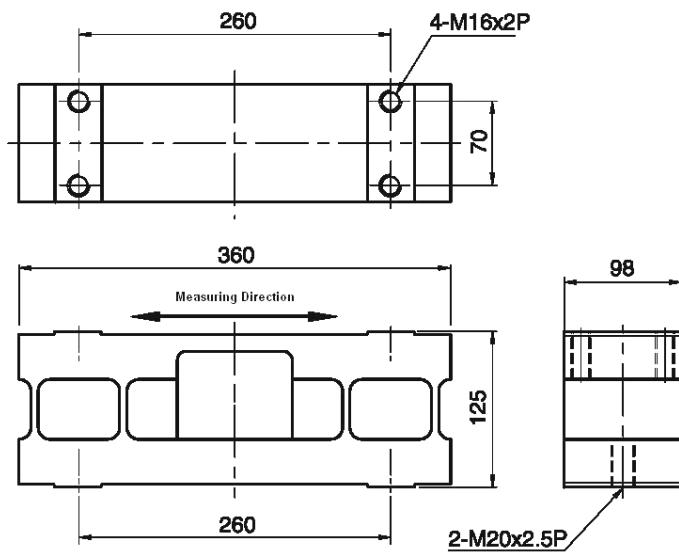
Frankfurter Str. 150 - 152
65779 Kelkheim, Germany

Tel. : +49 6195 70060
Fax: +49 6195 700666

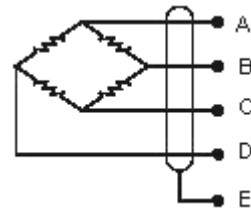
<http://www.althen.de>
E-Mail: verkauf@althen.de



ABTA-5 – 20kN

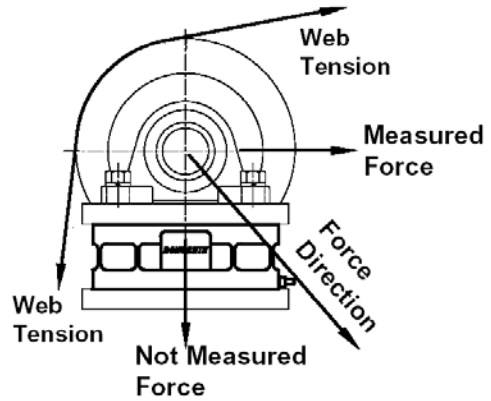
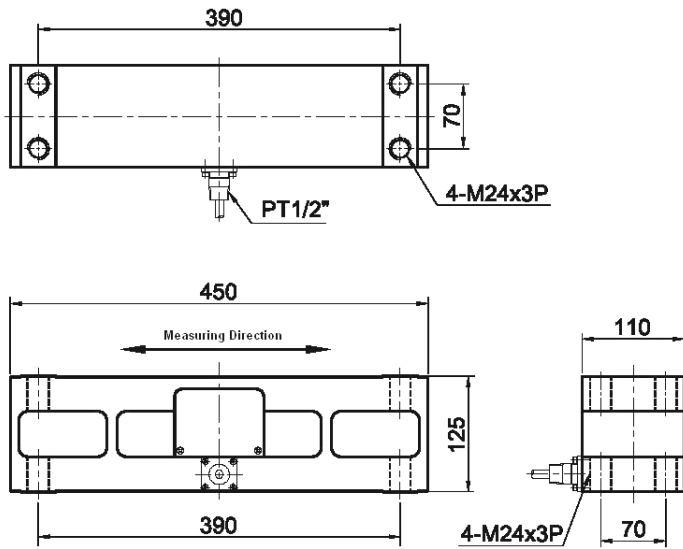


Wiring Information:



- A: red (+) Excitation
- B: green (+) Signal
- C: white (-) Excitation
- D: blue (-) Signal
- E: bare GND

ABTA-30, 50kN



*Specifications are subject to change without notice/Copyright Althen 06-2006

ABTA

ALTHEN GmbH Mess- und Sensortechnik

Frankfurter Str. 150 - 152
65779 Kelkheim, Germany

Tel. : +49 6195 70060
Fax: +49 6195 700666

<http://www.althen.de>
E-Mail: verkauf@althen.de

