

Compression and Tension Low Profile Load Cell ADSCS Series

- Capacity 0...200 kg to 0...1000 kg
- 17-4PH Stainless steel construction for high accuracy and corrosion resistance
- Hermetically sealed
- High rated output (3 mV/V)
- low profile



The model ADSCS is an low profile compression and tension pancake type load cell. All units are machined from a solid billet of stainless steel and sealed with welded diaphragms.

Ordering Information: **ADSCS** - **200kg**
Model - Capacity

Specifications

Model	ADSCS
Rated capacity (R.C.):	200 kg (1,96 kN), 500 kg (4,90 kN), 1000 kg (9,81 kN)
Rated output (R.O.):	3 mV/V \pm 0,3%
Non-linearity:	\leq 0,05% R.O.
Hysteresis:	\leq 0,03% R.O.
Non-repeatability:	\leq 0,03% R.O.
Creep error:	\leq 0,05% in 20 min.
Zero balance:	\leq 1% R.O.
Compensated temperature range:	-10...+70°C
Operating temperature range:	-20...+80°C
Temp. effect on rated output:	\leq 0,03% load/10 K
Temp. effect on zero balance	\leq 0,03% R.O./10 K
Terminal input resistance:	700 Ω \pm 10 Ω
Terminal output resistance:	700 Ω \pm 10 Ω
Insulation resistance (Min.):	2000 M Ω at 50 VDC
Excitation voltage:	10 V (Recommended) / 15 V (max.)
Electrical connection:	\varnothing 5 mm x 3 m (22AWG x 4Core shielded)
Protection class:	meets IP67
Safe overload:	150% R.C.
Ultimate overload:	300% R.C.
Weight	0,9 kg

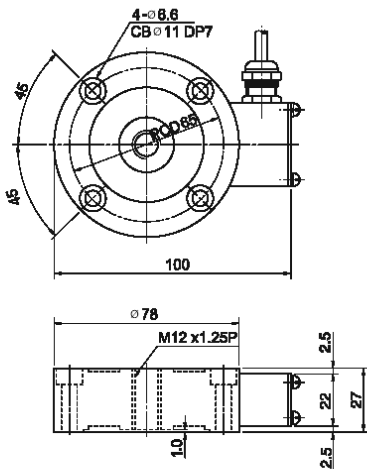
ALTHEN GmbH Mess- und Sensortechnik

Frankfurter Str. 150 - 152
D-65779 Kelkheim

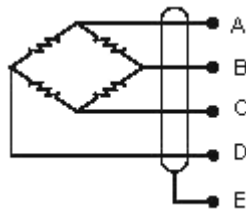
Tel. : +49(0)6195 70060
Fax: +49(0)6195 700666

<http://www.althen.de>
E-Mail: verkauf@althen.de

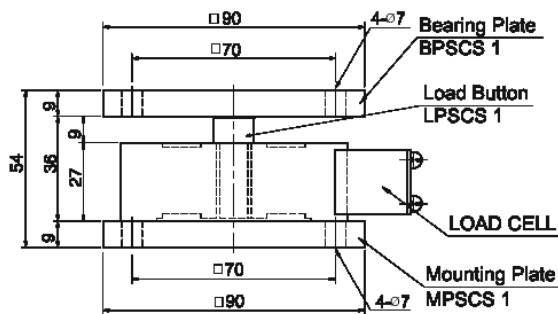
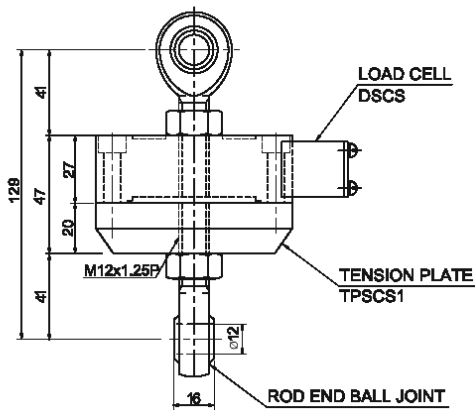




Wiring Information:



- A: red (+) Excitation
- B: green (+) Signal
- C: white (-) Excitation
- D: blue (-) Signal
- E: bare GND



*Specifications are subject to change without notice/Copyright Althen 03-2006

ADSCS

ALTHEN GmbH Mess- und Sensortechnik

Frankfurter Str. 150 - 152
D-65779 Kelheim

Tel. : +49(0)6195 70060
Fax: +49(0)6195 700666

<http://www.althen.de>
E-Mail: verkauf@althen.de

