

# AOBU

## Single Point Bending Beam Load Cell

- Measurement ranges from 0 ... 3 kg to 0 ... 250 kg
- Tension / compression
- Non-linearity 0.02 % RO
- Output 2 mV/V (1 mV/V at rated capacity 3 kg)
- Supply voltage 10 VDC, max. 15 VDC



The AOBU series single point load cell is designed for low profile scales and automatic weighing systems where great accuracy, reliability and fast measurement are required.

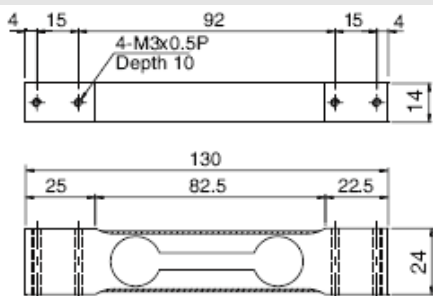
### ■ Specifications

Rated capacity (RC):	3 kg	6 kg, 10 kg, 25 kg, 30 kg, 50 kg, 52 kg, 100 kg, 150 kg, 250 kg
Non-linearity:	≤0.02 % RO	
Hysteresis:	≤0.02 % RO.	
Creep, 20 min:	≤0.03 %	
Non-repeatability:	≤0.02 % RO	
Rated output (RO):	1 mV/V ±10 %	2 mV/V ±10 %
Zero balance:	≤5 % RO	
Temperature effect on rated output:	≤0.012 % load/10 K	
Temperature effect on zero balance:	≤0.03 % RO/10 K	
Compensated temperature range:	-10 ... +70 °C	
Operating temperature range:	-20 ... +80 °C	
Supply voltage, recommended:	10 VDC	
Supply voltage max.:	15 VDC	
Terminal input resistance:	420 Ω ±20 Ω	
Terminal output resistance:	350 Ω ±5 Ω	
Insulation resistance, min.:	2000 MΩ at 50 VDC	
Safe overload:	150 % RC	
Ultimate overload:	300 % RC	
Environmental sealing:	meets IP65	
Electr. connection:	capacity 3 kg to 30 kg capacity 50 kg to 250 kg	Ø4 mm x 1.5 m (22AWG x 4-core, shielded) Ø5 mm x 1.5 m (22AWG x 4-core, shielded)

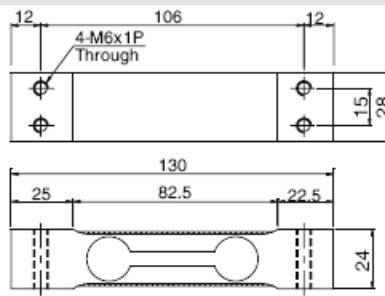
Rated capacity	Max. allowable platform size
3 kg (29.4 N)	200 x 200 mm
6 kg to 30 kg (58.8 N to 294 N)	300 x 300 mm
50 kg (490 N)	400 x 500 mm
52 kg to 250 kg (510 N to 2.45 kN)	400 x 600 mm

## ■ Dimensions

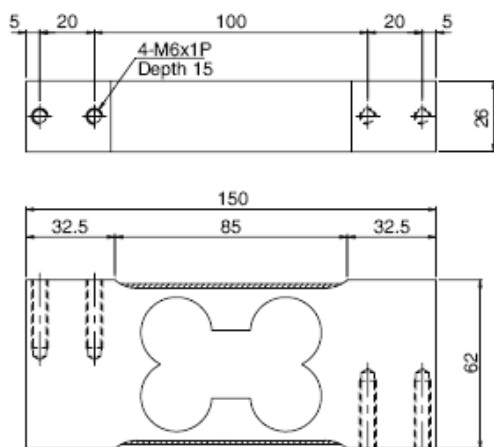
### Rated capacity 3 kg



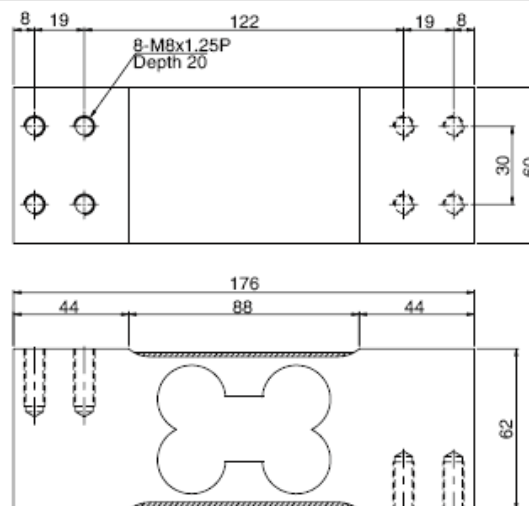
### Rated capacity 6 kg to 30 kg



### Rated capacity 50 kg



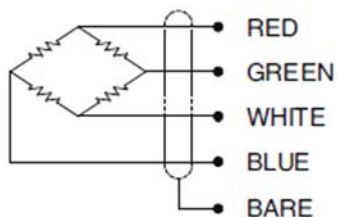
### Rated capacity 52 kg to 250 kg



Dimensions in „mm“, approx. values

These drawings are for information only and not intended for construction purpose.  
Please contact us for detailed drawings.

## ■ Wiring



### Wiring

red	+ supply voltage
green	+ output signal
white	- supply voltage
blue	- output signal
bare	screen

## ■ Ordering Information

AOBU-xx	rated capacity xx
3	3 kg
6	6 kg
10	10 kg
25	25 kg
30	30 kg
50	50 kg
52	52 kg
100	100 kg
150	150 kg
250	250 kg

### Safety note:

Depending on the application it may be essential to provide additional safety precautions like safety chains etc. for catching the load in a breakage, which cannot be excluded completely.

Due to continual product development, ALTHEN and partners reserve the right to vary the foregoing details without prior notice.