

ATLC Tension Load Cell

- ▣ Measurement ranges from 0 ... 500 kg up to 0 ... 5 t
- ▣ Tension
- ▣ Non-linearity 0.03 % RO
- ▣ Output signal rationalised 1.5 mV/V ± 0.25 %
- ▣ Supply voltage 10 VDC, max. 15 VDC



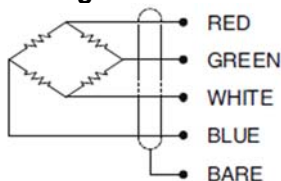
The model ATLC series, designed for tension measurement and weighing applications, are reliable and easy to install.

- Durable design provides high safety. (ultimate overload rating 500 %)
- Alloy tool steel construction for high accuracy.
- Electroless nickel plated for corrosion resistance.

▣ Specifications

Rated capacity (RC):	500 kg / 1 t / 2 t / 3 t / 5 t
Non-linearity:	≤ 0.03 % RO
Hysteresis:	≤ 0.03 % RO
Creep, 20 min:	≤ 0.03 %
Non-repeatability:	≤ 0.03 % RO
Rated output (RO), rationalised:	1.5 mV/V ± 0.25 %
Zero balance:	≤ 1 % RO
Temperature effect on rated output:	≤ 0.05 % load/10 K
Temperature effect on zero balance:	≤ 0.05 % RO/10 K
Compensated temperature range:	-10 ... +70 °C
Operating temperature range:	-20 ... +80 °C
Supply voltage, recommended:	10 VDC
Supply voltage max.:	15 VDC
Terminal input resistance:	350 Ω ± 3.5 Ω
Terminal output resistance:	350 Ω ± 5 Ω
Insulation resistance, min.:	2000 M Ω at 50 VDC
Safe overload:	150 % RC
Ultimate overload:	500 % RC
Environmental sealing:	meets IP67
Electrical connection:	\varnothing 7 mm x 6 m (22AWG x 4-core, shielded)

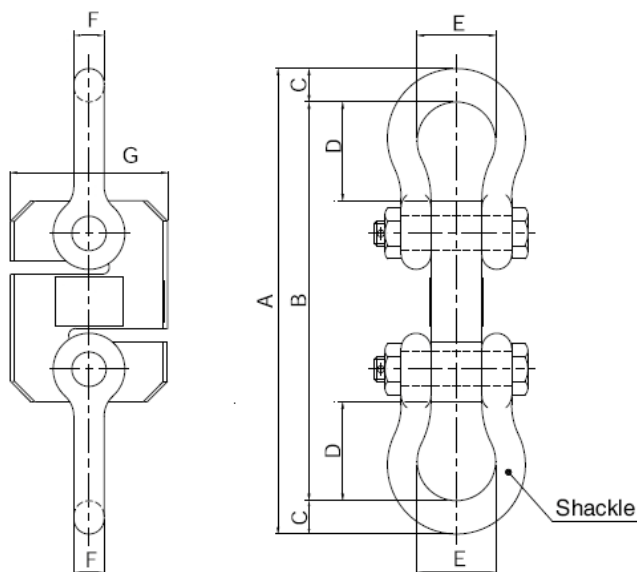
▣ Wiring Information



Wiring

red	+ supply voltage
green	+ output signal
white	- supply voltage
blue	- output signal
bare	screen

■ Dimensions



Dimensions in „mm“, approx. values

These drawings are for information only and not intended for construction purpose.
Please contact us for detailed drawings.

Rated capacity	A	B	C	D	E	F	G	Shackle	Weight
0.5 t, 1 t (4.9 kN, 9.8 kN)	255	220	17.5	54	42.9	16	78	G-2130, 5/8“ „Crosby“ or equiv.	3.2 kg (1.8 kg without shackle)
2 t to 5 t (19.6 kN to 49.0 kN)	342.8	293.6	24.6	72.8	58	22.4	116	G-2130, 7/8“ „Crosby“ or equiv.	7.8 kg (4.2 kg without shackle)

■ Ordering Information

ATLC-xx

Rated capacity xx:

500 = 500 kg

3T = 3 t

1T = 1 t

5T = 5 t

2T = 2 t

Safety note:

It is essential to provide additional safety precautions like safety chains etc. for catching the load in a breakage, which cannot be excluded completely.

Due to continual product development, ALTHEN and partners reserve the right to vary the foregoing details without prior notice.