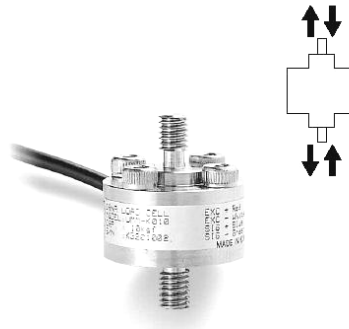


Miniature Tension Load Cell Models AUMM, AUMMA

- Capacity from 1 kgf to 200 kgf (10 N to 2 kN)
- For compression or tension
- Extremely small and lightweight
- Protection class IP67



Specifications

Model	AUMMA	AUMM
Rated capacity (R.O.):	1 kgf (9,81 N), 2 kgf (19,61 N), 5 kgf (49,03 N), 10 kgf (98,07 N), 20 kgf (196,1 N), 50 kgf (490,3 N), 100 kgf (980,7 N), 200 kgf (1,96 kN)	
Rated output (R.O.):	0,7...1,2 mV/V	0,7...1,2 mV/V
Non-linearity:	1% R.O.	1% R.O.
Hysteresis:	1% R.O.	1% R.O.
Repeatability:	0,2% R.O.	0,2% R.O.
Zero balance:	±2% R.O.	±2% R.O.
Temperature effect on rated output	0,1% load/10 K	0,1% v.M./10 K
Temperature effect on zero balance	0,05% R.O./10 K	0,05% R.O./10 K
Temperature range, compensated	-10...+70°C	-10...+70°C
Temperature range, safe	-10...+80°C	-10...+80°C
Terminal resistance, input:	350 Ω ±30 Ω	350 Ω ±30 Ω
Terminal resistance, output:	350 Ω ±2 Ω	350 Ω ±2 Ω
Insulation resistance bridge/case	2000 MΩ	2000 MΩ
Excitation recommended:	5 V	5 V
Safe overload:	120% R.C.	120% R.C.
Cable length:	Ø3 mm x 2 m 4 core, shield	Ø3 mm x 2 m 4 core, shield

ALTHEN GmbH Mess- und Sensortechnik

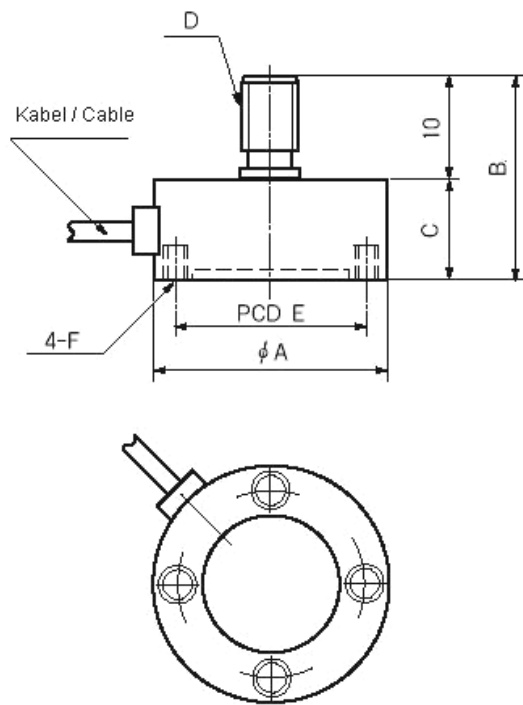
Frankfurter Str. 150 - 152
D-65779 Kelkheim

Tel. : +49(0)6195 70060
Fax: +49(0)6195 700666

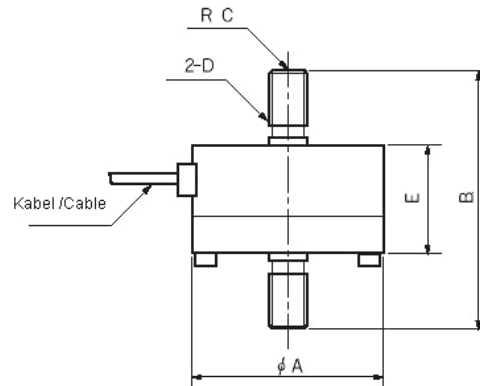
<http://www.althen.de>
E-Mail: verkauf@althen.de



AUMMA

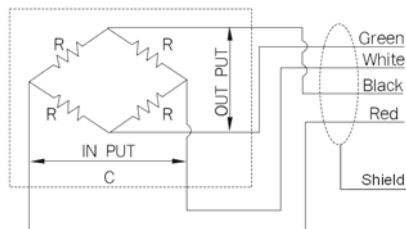


AUMM



All dimensions in mm

Model	Capacity	AUMMA						AUMM				
		A	B	C	D	E	F	A	B	C	D	E
AUMM(A)-K001	1kgf (9,807 N)	23	19	10	M3x0,5	18	M3DP8	23	32	20	M3x0,5	14
AUMM(A)-K002	2kgf (19,61 N)	23	19	10	M3x0,5	18	M3DP8	23	32	20	M3x0,5	14
AUMM(A)-K005	5kgf (49,03 N)	23	19	10	M3x0,5	18	M3DP8	23	32	20	M3x0,5	14
AUMM(A)-K010	10kgf (98,07 N)	27	21	11	M6x1	22	M4DP8	27	35	30	M6x1	17
AUMM(A)-K020	20kgf (196,1 N)	27	21	11	M6x1	22	M4DP8	27	35	30	M6x1	17
AUMM(A)-K050	50kgf (490,3 N)	27	21	11	M6x1	22	M4DP8	27	35	30	M6x1	17
AUMM(A)-K100	100kgf (980,7 N)	27	21	11	M6x1	22	M4DP8	27	35	30	M6x1	17
AUMM(A)-K200	200kgf (1,961 kN)	27	21	11	M6x1	22	M4DP8	27	35	30	M6x1	17



Wiring Information:

Red: + Excitation
 White: - Excitation
 Black: + Signal
 Green: - Signal
 Bare: GND

*Specifications are subject to change without notice /Copyright Althen 12-2005

ALTHEN GmbH Mess- und Sensortechnik

Frankfurter Str. 150 - 152
 D-65779 Kelkheim

Tel. : +49(0)6195 70060
 Fax: +49(0)6195 700666

<http://www.althen.de>
 E-Mail: verkauf@althen.de

