

SS2 | SS3

Ultra Low Force Load Cell

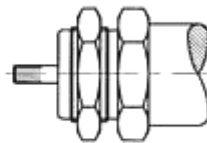
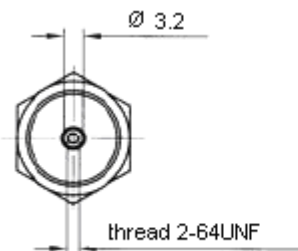
- Measurement ranges ± 30 g and 0 ... 60 g
- Tension / compression
- Combined error 0.5 % FS
- Output signal 12 mV/V
- Supply voltage 10 VDC, max. 15 VDC



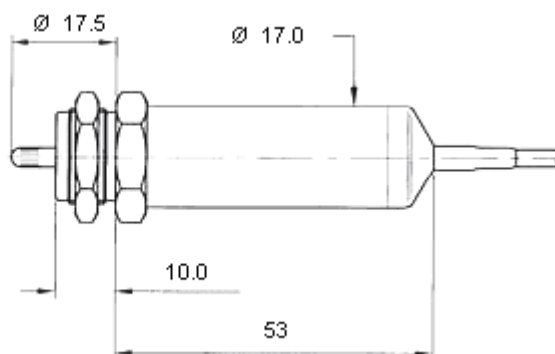
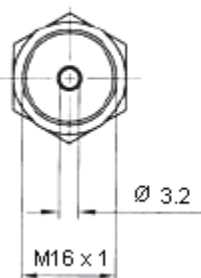
The SS2-3 load cells have been designed for applications where precision measurement of extremely low forces is required. They are based upon bonded semi-conductor strain gauge technology, conferring excellent sensitivity and eliminating the fragility associated with unbonded strain gauge types. The design features excellent immunity to the effects of eccentric loading, side loading and bending moments. Forces may be applied either in tension or compression. The low deflection and consequent high frequency response ensures that the unit is suitable for measuring peak and transient forces. The transducer will replace the well known UC2 and UC3 range of load cells, originally marketed by Gould-Statham®, who stopped production in the 1980's.

There are many applications for this range of load cells in medical applications, research and development and industry.

■ Dimensions



Option T (tension / compression)



Option C (compression)

Dimensions in „mm“, approx. values

These drawings are for information only and not intended for construction purpose. Please contact us for detailed drawings.

■ Specifications

Model	SS2	SS3
Standard range:	±30 g	0 ... 60 g
Operational mode:	bi-directional	compression
Combined error, max.:	±0.50 % FS	
Full scale output, nominal:	12 mV/V	
Thermal sensitivity shift, max.:	±0.02 % reading/K	
Thermal zero shift, max.:	±0.02 % FS/K	
Compensated temperature range:	-10 ... +65 °C	
Operating temperature range:	-20 ... +90 °C	
Supply voltage, recommended:	10 VDC	
Supply voltage, max.:	15 VDC	
Input resistance, nom.:	650 Ω	
Output resistance, nom.:	400 Ω	
Overload capacity (compression):	500 % FS	
Maximum side load:	100 % FS	
Deflection at rated load, max.:	0.05 mm	
Environmental sealing, acc. To IEC529:	IP51	
Documentation:	individual calibration data sheet	

Notes:

1. Standard unit is supplied with 4 conductor, 1 m shielded cable, shield not connected to transducer
2. Units supplied calibrated in compression
3. Signal polarity is positive in compression

■ Ordering Information

SS2	bi-directional, range ±30 g	SS3	compression, range 0 ... 60 g
-----	-----------------------------	-----	-------------------------------

Our policy is to improve specification of our products continuously, so technical and production details can be changed without any notice.