

TOG

Toggle Load Cell

- Measurement ranges 0 ... 750 kg to 0 ... 9500 kg
- Tension
- Accuracy 0.20 % of RL
- Output nom. 1.0 mV/V, optional with amplified output
- Supply voltage 10 VDC, max. 15 VDC



The TOG series of Tension Toggle Load cells have been designed for general use and are particularly suitable for permanent installations where wire loads are being measured.

They are built to exacting standards and are suitable for use in exposed situations and can be supplied to withstand immersion in seawater.

The TOG range can be supplied as shown in this datasheet or can be modified to meet a particular application requirement. We are always pleased to discuss any special requirements that can be accommodated.

The TOG series can be supplied on it's own or combined with our extensive range of instrumentation to provide a complete load monitoring system.

■ More Features

- Stainless steel construction
- Fork/Eye, Eye/Eye or Fork/Fork configuration available
- Environmentally sealed to IP67 (IP68 can also be offered)
- Many special design options available
- Can be supplied with amplified output
- Can be supplied with integral connector

■ Typical Applications

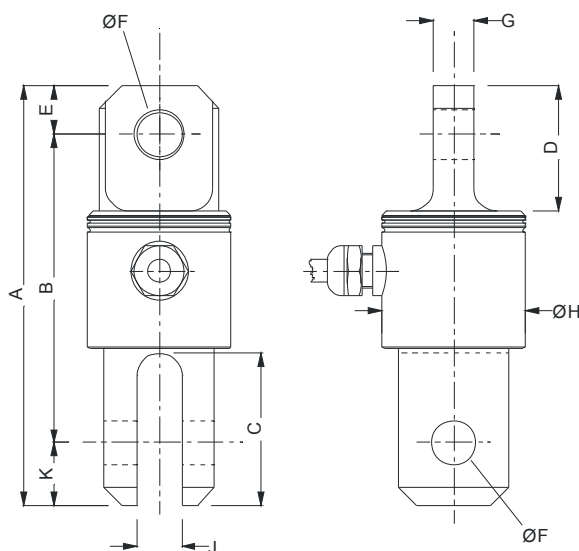
- Structural Testing
- Mooring/Towing Monitoring
- Wire Rigging Tension Monitoring
- Wireline Measurement
- Anchor Line Tension

■ Specification

Rated load (RL):	750 / 1500 / 2000 / 3250 / 4750 / 6500 / 8500 / 9500 kg (approx. 7.5 kN to 95 kN)	
Proof load:	200 % of RL	
Ultimate breaking load:	>300 % of RL	
Output:	1.0 mV/V at RL (± 10 %)	
Accuracy:	< ± 0.20 % of RL	
Non-repeatability:	< ± 0.04 % of RL	
Supply voltage:	10 VDC recommended, max. 15 VDC	
Bridge resistance:	350 Ω	
Insulation resistance:	>500 M Ω at 500 VDC	
Operating temperature range:	-20 °C ... +70 °C	
Compensated temperature range:	-10 °C ... +50 °C	
Zero temperature coefficient:	< ± 0.010 % of RL/K	
Span temperature coefficient:	< ± 0.010 % of RL/K	
Environmental sealing:	IP67	
Electrical connections:	5 m 4-core PUR cable	
Wiring connections:	red: + supply voltage green: + signal	blue: - supply voltage yellow: - signal
Options available:	Special electrical connections Can be supplied with integral signal conditioning Special ranges Consult factory for any other special options	

■ Dimensions

Fork/Eye Configuration:

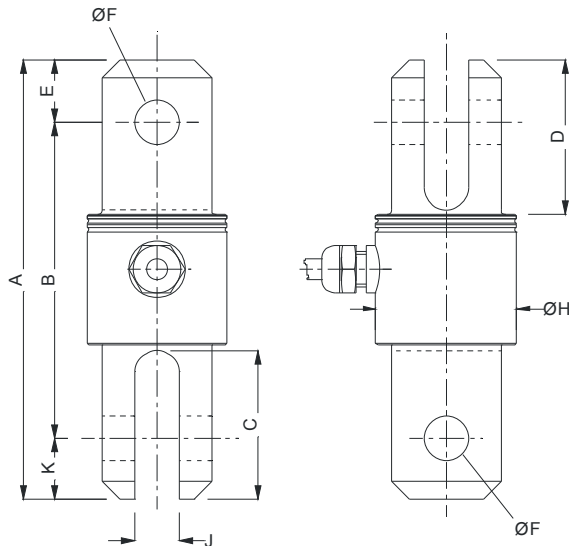


	Part Number / Range							
	TOG-375-FE 750 kg	TOG-500-FE 1500 kg	TOG-625-FE 2000 kg	TOG-750-FE 3250 kg	TOG-875-FE 4750 kg	TOG-1000-FE 6500 kg	TOG-1125-FE 8500 kg	TOG-1250-FE 9500 kg
A	100	116	173	193	218	240	280	280
B	75	84	122	135	155	170	200	200
C	34	43	68	67	80	93	112	112
D	28	35	60	60	73	80	90	90
E	11	16	20	27	32	33	38	38
ØF	10	13	16	20	23	26	29	32
G	9	12	15	19	23	24	30	30
ØH	32	32	50	50	63	63	74	74
J	10	13	16	20	23	26	30	30
K	14	16	31	31	31	37	42	42
Weight (kg)	0.3	0.4	0.7	1.5	2.1	2.8	3.4	3.7

All dimensions in mm, approx. values.

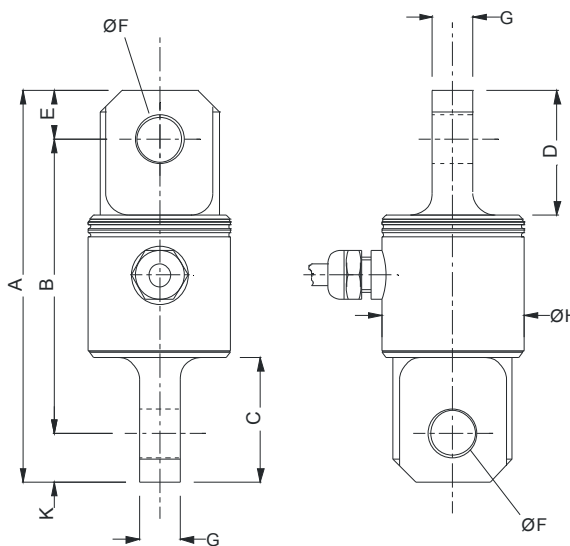
These drawings are for information only and not intended for construction purpose. Please ask for detailed drawings.

Fork/Fork Configuration:



	Part Number / Range							
	TOG-375-FF 750 kg	TOG-500-FF 1500 kg	TOG-625-FF 2000 kg	TOG-750-FF 3250 kg	TOG-875-FF 4750 kg	TOG-1000-FF 6500 kg	TOG-1125-FF 8500 kg	TOG-1250-FF 9500 kg
A	100	116	173	193	218	240	280	280
B	75	84	122	135	155	170	200	200
C	34	43	68	67	80	93	112	112
D	34	43	68	67	80	93	112	112
E	11	16	20	27	32	33	38	38
ØF	10	13	16	20	23	26	29	32
ØH	32	32	50	50	63	63	74	74
J	10	13	16	20	23	26	30	30
K	14	16	31	31	31	37	42	42
Weight (kg)	0.3	0.4	0.7	1.5	2.1	2.8	3.4	3.7

Eye/Eye Configuration:



	Part Number / Range							
	TOG-375-EE 750 kg	TOG-500-EE 1500 kg	TOG-625-EE 2000 kg	TOG-750-EE 3250 kg	TOG-875-EE 4750 kg	TOG-1000-EE 6500 kg	TOG-1125-EE 8500 kg	TOG-1250-EE 9500 kg
A	100	116	173	193	218	240	280	280
B	78	84	133	139	154	174	204	204
C	28	35	60	60	73	80	90	90
D	28	35	60	60	73	80	90	90
E	11	16	20	27	32	33	38	38
ØF	10	13	16	20	23	26	29	32
G	9	12	15	19	23	24	30	30
ØH	32	32	50	50	63	63	74	74
K	11	16	20	27	32	33	38	38
Weight (kg)	0.3	0.4	0.7	1.5	2.1	2.8	3.4	3.7

All dimensions in mm, approx. values.

These drawings are for information only and not intended for construction purpose. Please ask for detailed drawings.

Due to continual product development, ALTHEN and partners reserve the right to vary the foregoing details without prior notice.