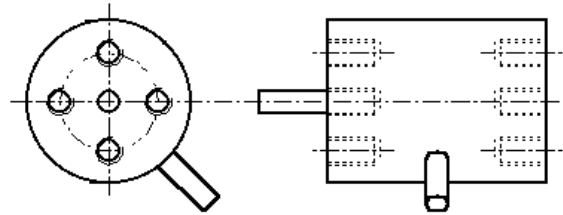


ATF311

Custom Static Torque Transducer

- Measurement ranges 0 ... 2 Nm to 0 ... 1000 Nm
- Custom non-linearity
- Custom output signal
- Custom supply voltage



The static torque transducer series ATF311 is manufactured to specific requirements. For lower ranges please see series ATF315.

■ Specifications

Torque ranges:	customised from 0 ... 2 Nm to 0 ... 1000 Nm
Zero load output:	± 4 % RT
Temperature effect on rated output:	± 0.005 % AT/K
Temperature effect on zero load output:	± 0.01 % RT/K
Compensated temperature range:	-10 ... +50 °C
Operating temperature range:	-10 ... +80 °C
Environmental sealing	IP65
Cable length	2 m

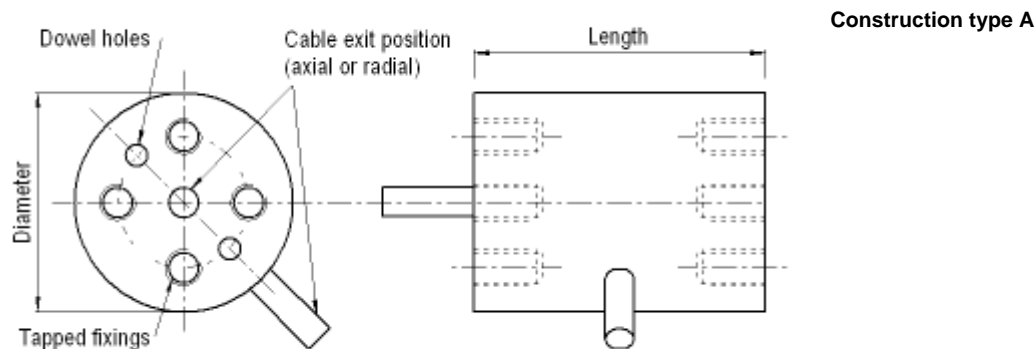
Notes:

1. RT = rated torque
2. AT = applied torque
3. Temperature coefficients apply over the compensated range.

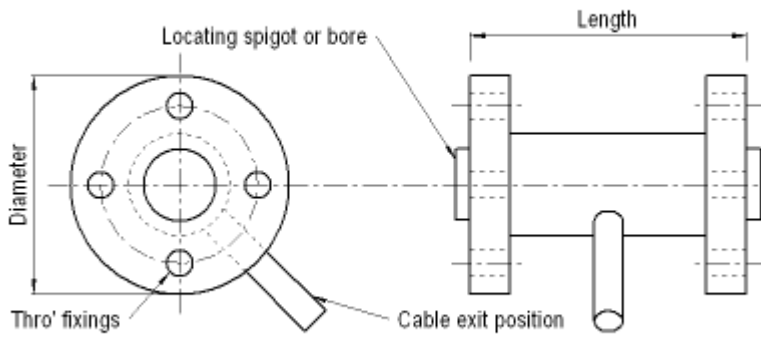
■ Electrical Connections

The ATF311 is fitted with 2 m cable.

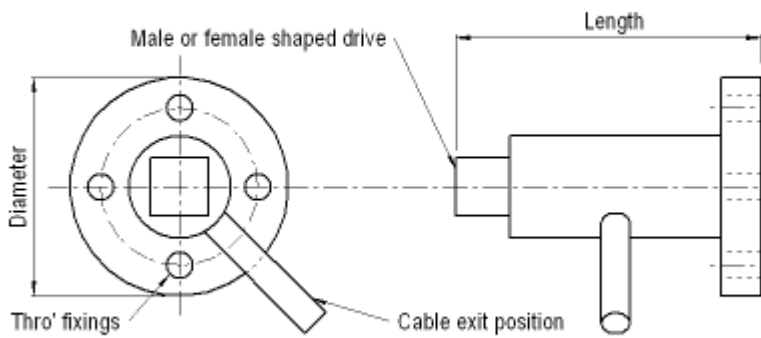
■ Construction Types



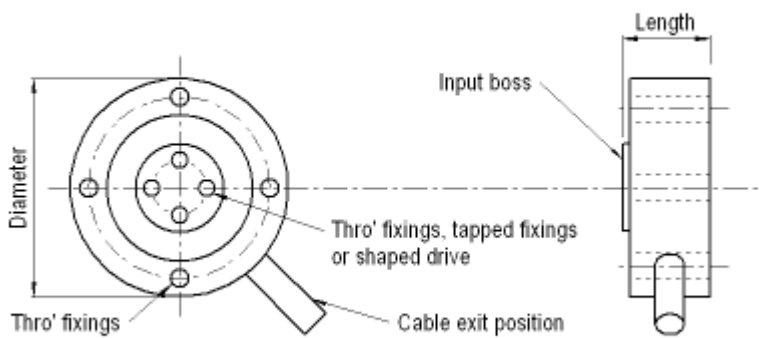
Construction type A



Construction type B



Construction type C



Construction type D

Our policy is to improve specification of our products continuously, so technical and production details can be changed without any notice.