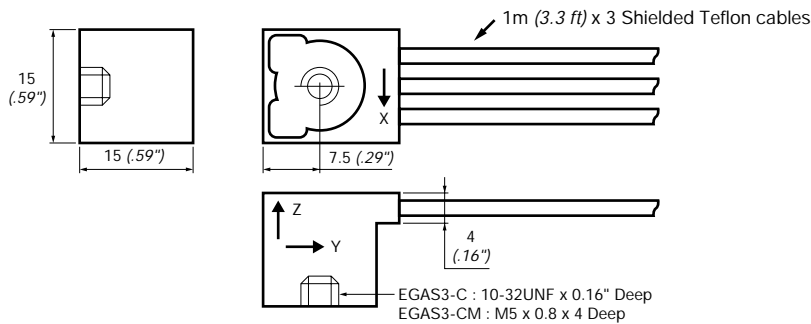


# EGAS3 Series Accelerometers

## Triaxial Miniature - Rugged

### TRIAxIAL EGAS3

#### EGAS3-C & EGAS3-CM

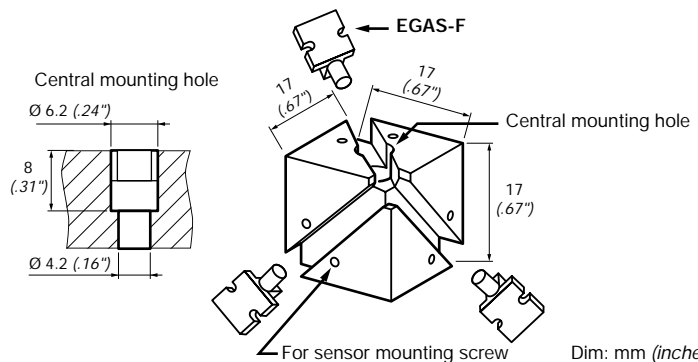
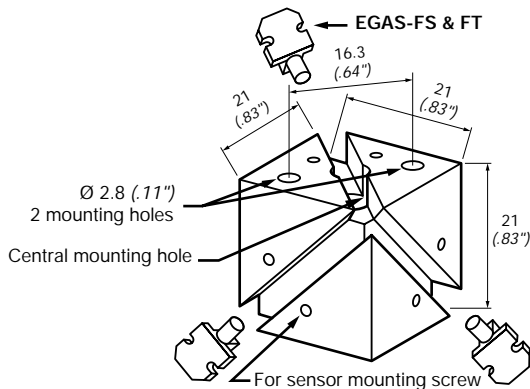


Dim: mm (inches)

### Triaxial Mounting Blocks for up to 3 Single Axis EGAS

MTG-F2 (Purchase Accelerometers separately from mounting blocks)

MTG-F3 (Purchase Accelerometers separately from mounting blocks)



Dim: mm (inches)

### EGAS3 Multiaxial Series - Specifications for each individual axis

g RANGES "FS"	g OVERRANGE LIMIT	FREQUENCY RESPONSE $\pm 1/2dB$ nom./min.	NATURAL FREQUENCY nom.	SENSITIVITY mV/g nom.	OUTPUT "FSO" mV nom.
$\pm 5$	$\pm 500$	0 to 150/80 Hz	300 Hz	20	$\pm 100$
$\pm 10$	$\pm 1000$	0 to 200/120 Hz	400 Hz	10	$\pm 100$
$\pm 25$	$\pm 2500$	0 to 400/240 Hz	800 Hz	4	$\pm 100$
$\pm 50$	$\pm 5000$	0 to 600/350 Hz	1200 Hz	2	$\pm 100$
$\pm 100$	$\pm 10000$	0 to 900/500 Hz	1800 Hz	1	$\pm 100$
$\pm 250$	$\pm 10000$	0 to 1300/750 Hz	2600 Hz	0.4	$\pm 100$
$\pm 500$	$\pm 10000$	0 to 1750/1000 Hz	3500 Hz	0.2	$\pm 100$
$\pm 1000$	$\pm 10000$	0 to 2500/1500 Hz	5000 Hz	0.1	$\pm 100$
$\pm 2500$	$\pm 10000$	0 to 3500/2000 Hz	7000 Hz	0.04	$\pm 100$

EXCITATION:	15VDC
IMPEDANCE IN:	1300 $\Omega$ nom. typ.
IMPEDANCE OUT:	1500 $\Omega$ nom.
COMB. NON-LINEARITY & HYSTERESIS:	$\pm 1\%$
TRANSVERSE SENSITIVITY:	2% max
DAMPING RATIO AT 20°C (70°F):	0.7 nom. (0.5 to 0.9)
OVERRANGE STOPS:	Integral
THERMAL ZERO SHIFT:	$\pm 1mV/50^\circ C$ ( $\pm 1mV/100^\circ F$ )
THERMAL SENSITIVITY SHIFT (TSS):	$\pm 2.5\%/50^\circ C$ ( $\pm 2.5\%/100^\circ F$ )
OPERATING TEMPERATURE:	-40°C to 120°C (-40°F to 250°F)
COMPENSATED TEMPERATURE:	20°C to 80°C (70°F to 170°F)
ZERO OFFSET AT 20°C (70°F):	$\pm 15mV$ typ.

**Entran** 

Vertrieb / Distributed by:

**ALTHEN GmbH Meß- und Sensortechnik**

Frankfurter Str. 150-152  
65779 Kelkheim / Germany

Tel.: +49 6195 7006-0  
Fax: +49 6195 700666

<http://www.althen.de>  
E-Mail: [verkauf@althen.de](mailto:verkauf@althen.de)

**ALTHEN**  
Meß- und Sensortechnik

# EGAS3 specifications continued ...

## Options and Accessories (for all individual axes):

<b>COMPENSATED TEMPERATURE RANGES:</b>	<b>STANDARD</b>	<b>= 20°C to 80°C (70°F to 170°F)</b>
	Z1	= -20°C to 40°C (0°F to 100°F)
	Z2	= 0°C to 60°C (32°F to 140°F)
	Z4	= 40°C to 90°C (100°F to 200°F)
	Z*	= Non-standard, contact Entran
<b>EXCITATION VOLTAGE:</b>	<b>STANDARD</b>	<b>= 15VDC</b>
	V00	= Replace "00" with Excitation between 1 and 15. If less than 15, Sensitivity (FSO) will decrease accordingly.
	V*	= Non-standard Excitation with standard FSO and non-standard TSS, contact Entran.
<b>SPECIAL LEAD LENGTH:</b>	L00F	= Replace "00" with total length in feet.
	L00M	= Replace "00" with total length in meters.
<b>CONNECTOR WIRED TO LEADS OR CABLE:</b>	C	= Microtech type male or equivalent (w/o mate)
	RS	= RJ Telephone type male for cable (w/o mate)
<b>MATING CONNECTORS FOR CONNECTOR OPTIONS:</b>	See Cable and Connector Bulletins	

## Model Number construction:

<b>EGAS3</b> Series	<b>-C</b> Housings	-	<b>10</b> Range X Axis	<b>/50</b> Range Y Axis	<b>/50</b> Range Z Axis	-	<b>/Z1/L2M/RS</b> Options applied to all axes C or RS L00F or L00M V1 thru V15 or V* Z1,Z2,Z4, or Z*
EGAS3	-C, -CM		<b>(For all axes if Y and Z are blank)</b>				
<u>Mounting Blocks</u> MTG-F2 MTG-F3							

## Wiring for each separate axis:

