



Model	993B-5	993B-6	993B-7	993B-7-M12
<b>Mechanical</b>				
Weight, without cable:	134 gram	134 gram	134 gram	124 gram
Case material	316L stainless steel			
Mounting	Thread 10-32, captive screw			
Electrical connection	Integral Teflon cable J9T4B, approx. 4.5 m, armoured	Integral Teflon cable J9T4B, approx. 4.5 m, armoured	Integral Teflon cable J9T4B, approx. 4.5 m, armoured	4-pin M12 connector, mating connector M12HT

#### Note

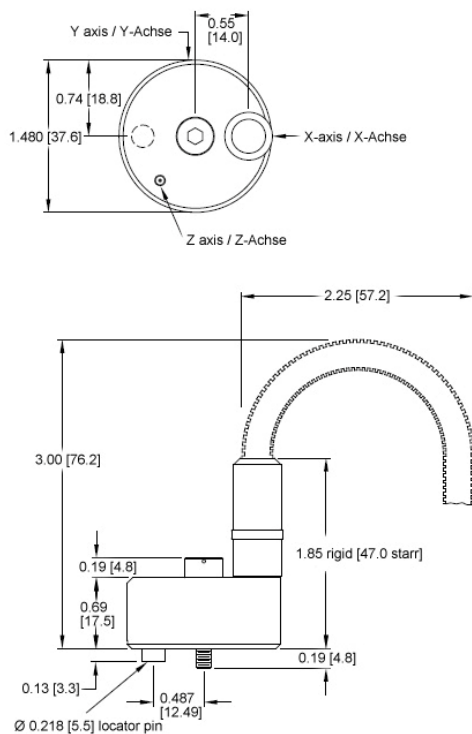
(1) As measured using the mounting screw or with model 993B-7-M12 the TCC-993 mounting cube.

#### Wiring

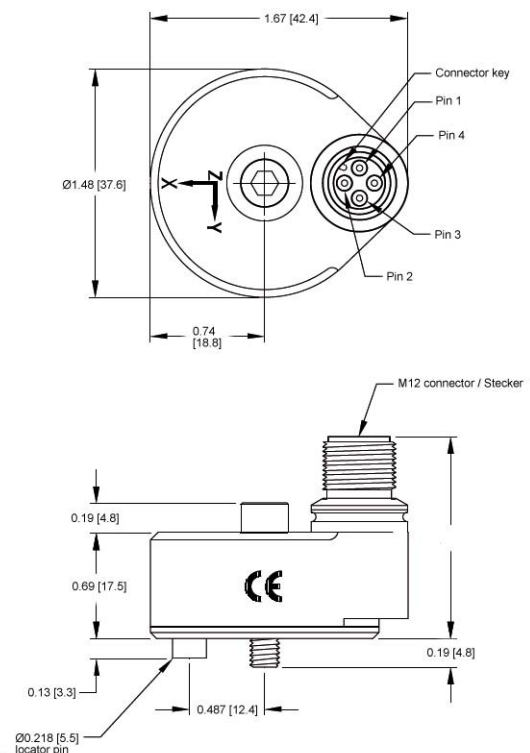
Function	Colour	Pin
X axis power / signal	Green	1
Y axis power / signal	Red	2
Z axis power / signal	White	3
common (all channels)	Black	4
	Screen	

#### Dimensions

##### Cable Version



##### Connector Version



Dimensions in inches [mm], approx. values!

These drawings are for information only and not intended for construction purpose.

Due to continual product development, ALTHEN and partners reserve the right to vary the foregoing details without prior notice.