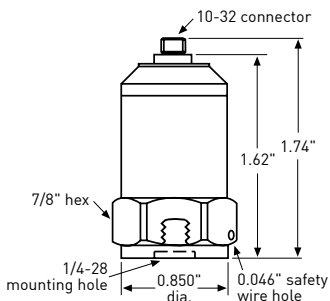


## Model 376/CC701HT system Accelerometer/charge amplifier system

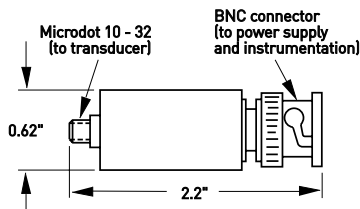


### Features

- Industrial ruggedness
- Charge output
- Ground isolated
- 260°C operation



Model 376



Model CC701HT

### Dynamic

Sensitivity, 25°C .....	100 mV/g, ±10%
Acceleration range .....	50 g
Amplitude linearity, to 50 g .....	1%
Frequency response:	
±10% .....	2 - 10,000 Hz
±3 dB .....	1 - 15,000 Hz
Resonance frequency .....	30 kHz
Transverse sensitivity .....	7% of axial
Temperature response:	
-50°C .....	-10%
+260°C .....	+20%

### Electrical

Power requirement:	voltage source .....	18 - 30 VDC
	current regulating diode .....	2 - 10 mA
Electrical noise, equiv. g:		
Broadband .....		0.001 g peak
Output impedance .....		<100Ω
Bias output voltage .....		12 VDC
Grounding .....		case isolated

### Environmental

Temperature range:		
376 .....		-50 to 260°C
CC701HT .....		-40 to 100°C
Vibration limit .....		500 g peak
Shock limit .....		5000 g peak
Base strain .....		0.002 g/μstrain

### Physical

Sensing element design .....	PZT ceramic / compression
Weight:	
376 .....	75 grams
CC701HT .....	40 grams
Case material .....	316L stainless steel
Mounting .....	1/4-28 tapped hole
Mating connector .....	BNC jack
Standard cabling <sup>1</sup> .....	R1-1-J3-12

Connector pin	Function
Shell	common
Pin	power / signal

Notes: <sup>1</sup> Other cable lengths are available  
Accessories supplied: Calibration data (level 3)

ALTHEN reserves the right to vary the foregoing details without prior notice



**ALTHEN GmbH Mess- und Sensortechnik**

Frankfurter Strasse 150 - 152  
65779 Kelkheim / Germany

phone: +49 (0)6195 70060  
fax: +49 (0)6195 700666

sales@althensensors.com  
www.althensensors.com