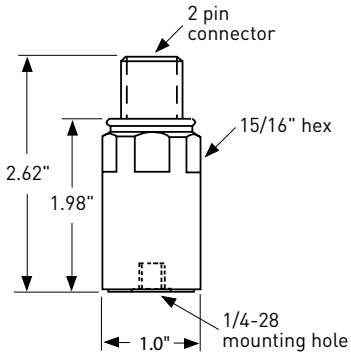


# FireFET® Model 793-6 High temperature, general purpose accelerometer



**Features**

- High temperature operation
- Rugged design
- Corrosion resistant
- Hermetically sealed
- Ground isolated
- ESD protection
- Reverse wiring protection
- 150°C operation



**Dynamic**

Sensitivity, ±10%, 25°C.....	100 mV/g
Acceleration range .....	50 g peak
Amplitude nonlinearity.....	1%
Frequency response:	
±5%.....	4 - 5,000 Hz
±10%.....	3 - 7,000 Hz
±3dB .....	1 - 12,000 Hz
Resonance frequency .....	20 kHz
Transverse sensitivity, max.....	5% of axial
Temperature response.....	-50°C    -5%
	+0°C    +2%
	+150°C   -5%

**Electrical**

Power requirement: voltage source.....	18 - 30 VDC
current regulating diode .....	2 - 4 mA
Electrical noise, equiv. g, (µg/√Hz):	
Broadband            2.5 Hz to 25 kHz.....	0.3 mg
	25°C    150°C
Spectral at            10 Hz.....	10      30
100 Hz.....	3      10
1,000 Hz.....	2      6
Output impedance, max. ....	100 Ω
Bias output voltage:	
at 25°C.....	12 VDC
at 150°C.....	11 VDC
Grounding.....	case isolated, internally shielded

**Environmental**

Temperature range (mounting surface).....	-50 to 150°C
Vibration limit.....	500 g peak
Shock limit .....	2,500 g peak
Electromagnetic sensitivity, equiv. g.....	15 µg/gauss
Sealing .....	hermetic
Base strain sensitivity.....	0.0005 g/µstrain

**Physical**

Sensing element design.....	PZT ceramic / compression
Weight .....	135 grams
Case material.....	316L stainless steel
Mounting .....	1/4 - 28 tapped hole
Output connector.....	2 pin, MIL-C-5015 style
Mating connector .....	R6 type
Recommended cabling.....	J9T2A

Connector Pin	Function	Cable conductor
Shell	ground	shield
A	power/ signal	white
B	common	black

Accessories supplied: SF6 mounting stud (International customers specify mounting requirements); calibration data (level 3).

ALTHEN reserves the right to vary the foregoing details without prior notice



**ALTHEN GmbH Mess- und Sensortechnik**

Frankfurter Strasse 150 - 152  
65779 Kelkheim / Germany

phone: +49 (0)6195 70060  
fax: +49 (0)6195 700666

sales@althensensors.com  
www.althensensors.com