

Model 799M Low frequency, high sensitivity, filtered accelerometer



Dynamic

Sensitivity, ±5%, 25°C.....	1,000 mV/g
Acceleration range	5 g peak
Amplitude nonlinearity.....	1%
Frequency response:	
-5%.....	0.6 - 1,200 Hz
-10%.....	0.4 - 1,600 Hz
-3 dB	0.2 - 2,500 Hz
Resonance frequency	18 kHz
Transverse sensitivity, max.....	5% of axial
Temperature response.....	-50°C -7%
	+80°C +5%

Electrical

Power requirement: voltage source.....	15 - 30 VDC
current regulating diode	2 - 10 mA

Electrical noise, equiv. g:		
Spectral	0.10 Hz.....	15 µg/√Hz
	1 Hz.....	3 µg/√Hz
	10 Hz.....	1 µg/√Hz
	100 Hz.....	1 µg/√Hz

Output impedance, max	400 Ω
Bias output voltage.....	8.0 VDC
Grounding.....	case isolated, internally shielded

Environmental

Temperature range	-50 to 80°C
Vibration limit.....	250 g peak
Shock limit	5,000 g peak
Electromagnetic sensitivity, equiv. g	150 µg/gauss
Sealing	hermetic
Base strain sensitivity	0.0005 g/µstrain

Physical

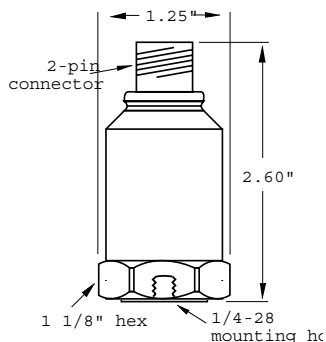
Sensing element design.....	PZT ceramic / shear
Weight	205 grams
Case material	316L stainless steel
Mounting	1/4-28 tapped hole
Output connector.....	2 pin, MIL-C-5015 style
Mating connector	R6 type
Recommended cabling.....	J9T2A

Connector pin	Function
Shell	ground
A	power/ signal
B	common

Accessories supplied: SF6 mounting stud (International customers specify mounting requirements); calibration data (level.3)

Features

- High sensitivity
- Ultra low-noise electronics for clear signals at very low vibration levels
- Optimized for 15V supply
- Low pass filtered to eliminate high frequencies
- Hermetic seal
- ESD protection
- Reverse wiring protection



ALTHEN reserves the right to vary the foregoing details without prior notice



ALTHEN GmbH Mess- und Sensortechnik

Frankfurter Strasse 150 - 152
65779 Kelkheim / Germany

phone: +49 (0)6195 70060
fax: +49 (0)6195 700666

sales@althensensors.com
www.althensensors.com