

Model 991V Internally amplified velocity sensor

Dynamic

Sensitivity, $\pm 10\%$, 25°C	20 mV/in/sec
Velocity range	400 in/sec peak
Amplitude nonlinearity	1%
Frequency response:	
$\pm 10\%$	5.0 - 4,000 Hz
± 3 dB	2.5 - 7,000 Hz
Resonance frequency, mounted, nominal	20 kHz
Transverse sensitivity, max.	5% of axial
Temperature response:	
-50°C	-5%
+120°C	+10%

Electrical

Power requirement: current draw	<0.5 mA
Electrical noise, equiv. in/sec, nominal:	
Broadband 2.5 Hz to 25 kHz	1,500 μ in/sec
Spectral 10 Hz	100 μ in/sec/√Hz
100 Hz	9 μ in/sec/√Hz
1000 Hz	3 μ in/sec/√Hz
Output impedance, max.	100 Ω
Grounding	base isolated

Environmental

Temperature range	-50 to 120°C
Vibration limit	250 g peak
Shock limit	1,000 g peak
Electromagnetic sensitivity, equiv. in/sec.	300 μ in/sec/gauss
Base strain sensitivity	0.004 in/sec/ μ strain

Physical

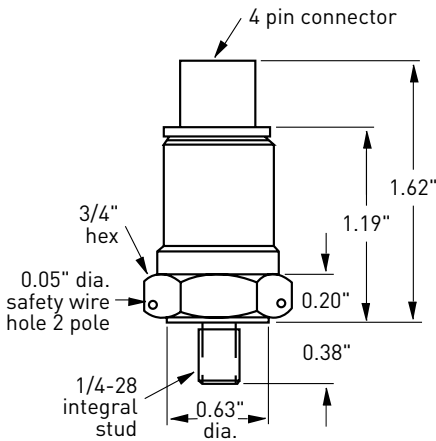
Weight	55 grams
Case material	stainless steel
Mounting	1/4-28 x 0.38 integral stud
Output connector	MIL-C-26482 style
Cabling: Mating connector	R4V
Recommended cable	4 conductor shielded

Connector	Function
Pin A	-9VDC
Pin B	common
Pin C	+9VDC
Pin D	signal

Accessories available: Mating connector

Features

- Internally integrated to velocity
- Compatible with current helicopter monitoring systems
- Mechanical & thermal isolation
- Low noise floor



ALTHEN reserves the right to vary the foregoing details without prior notice