

SiRRS01

Angular Rate Sensor



The SiRRS01 angular rate sensor has evolved from the highly successful Vibrating Structure Gyroscope developed by BAE Systems, which has been in service since 1990.

This MEMS implementation of our VSG technology, offers continued advancement in miniaturisation and reliability.

Designed to provide high performance operation under harsh environmental conditions, the SiRRS01 is ideally suited for a wide range of applications.

The SiRRS01 is underpinned by Silicon Sensing's commitment to the technical backup and long term support necessary for major procurement programmes.

Key Features

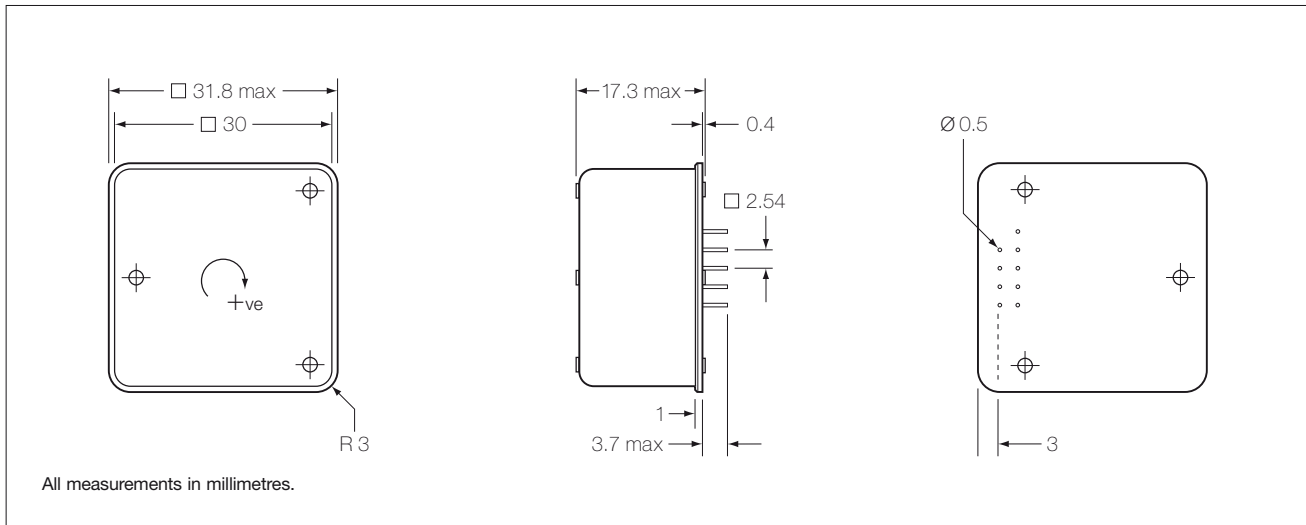
- Micro machined silicon (MEMS) technology
- Affordable, robust and rugged design
- Hermetically sealed
- Excellent shock and vibration performance
- Long life and exceptional reliability
- Comprehensive Built In Test (BIT)
- Integrated temperature sensor
- Compact and lightweight
- Low power consumption
- Sensor modelling data available



© Silicon Sensing is an Atlantic Inertial Systems, Sumitomo Precision Products joint venture company

SiRRS01

Angular Rate Sensor



Typical Data

	RRS01-01
Angular Rate Range	$\pm 110^\circ/\text{s}$ (other ranges available - see table)
Scale Factor	
Nominal	18.18mV/ $^\circ/\text{s}$
Variation over temperature range	$< \pm 3\%$
Nonlinearity	$\pm 1\%$ of full scale
Repeatability	$\pm 0.05\% 1\sigma$
Bias	
Setting (at $+20^\circ\text{C}$)	$< \pm 0.3^\circ/\text{s}$
Variation over temperature range	$< \pm 3^\circ/\text{s}$
Instability	$3^\circ/\text{hr}$
Repeatability	$\pm 0.03^\circ/\text{s } 1\sigma$
Angular random walk	$< 0.2^\circ/\sqrt{\text{hr}}$
g sensitivity	$< 7^\circ/\text{hr/g}$
Bandwidth	$> 50\text{Hz}$ (90° phase)
Noise (in-band)	$< 0.35^\circ/\text{s rms}$
Environment	
Operating temperature	-40°C to $+75^\circ\text{C}$
Relative humidity	100%
Shock (operational)	60g (30ms, $\frac{1}{2}$ sine)
Vibration (operational)	10g rms (20Hz to 2kHz)
Mass	< 35 gram
Electrical	
Supply voltage	$\pm 5\text{V}$, 0V
Supply current	$< 50\text{mA}$ (each, steady state)
General	
Built In Test (BIT)	Command BIT, Alarm BIT
Start-up time	300ms
Temperature output	16.9mV/ $^\circ/\text{s}$ (0V at 25°C)
MTBF	300,000 hr
RoHS Compliance	No

Part Number Rate Range

RRS01-01	$\pm 110^\circ/\text{s}$
RRS01-03	$\pm 300^\circ/\text{s}$
RRS01-05	$\pm 50^\circ/\text{s}$
RRS01-07	$\pm 1,500^\circ/\text{s}$
RRS01-09	$\pm 200^\circ/\text{s}$

Pin Connections

	9	Case Ground
-5V	4	8 Rate Reference
Command BIT	3	7 Rate Output
Alarm BIT	2	6 0V
+5V	1	5 Temperature

Specification subject to change without notice.

© Copyright 2009
Silicon Sensing Systems Limited
All rights reserved.
Printed in England 02/09

Silicon Sensing Systems Limited Registered in England & Wales No. 3635234 Clittaford Road, Southway, Plymouth, Devon PL6 6DE
The device mark Silicon Sensing is a registered trade mark of Silicon Sensing Systems Community Trade Mark 003587664



ALTHEN GmbH Mess- und Sensortechnik

Frankfurter Strasse 150 - 152
65779 Kelkheim / Germany

phone: +49 (0)6195 70060
fax: +49 (0)6195 700666

sales@althensensors.com
www.althensensors.com