



mm X125

Description

**350 bar submersible stand-alone linear Position sensor
Intrinsically Safe for Hazardous Gas/Vapour Atmospheres**

- Intrinsically safe for Gas to: Ex II 1G
- Travel set to customer's requirement
- Compact and self-contained
- High durability and reliability
- High accuracy and stability
- Sealing to IP68 350 Bar



As a leading supplier of linear, rotary, tilt and intrinsically safe position sensors, we have the expertise to supply a sensor to suit a wide variety of applications. Our X125 LIPS (Linear Inductive Position Sensor) incorporates electronics system EX07 which is ATEX / IECEx approved for use in potentially explosive gas/vapour atmospheres. The X125 is designed to provide feedback for arduous underwater applications, such as ROVs, where hazardous surface conditions may exist. It remains an affordable, durable, high-accuracy position. The unit is highly compact and space-efficient, being responsive along almost its entire length. Like all similar sensors, the X125 provides a linear output proportional to displacement. Each sensor is supplied with the output calibrated to the travel required by the customer, from 5 to 800mm and with full EMC protection built in. The sensor is very robust, the body and push rod being made of stainless steel for long service life and environmental resistance. Overall performance, repeatability and stability are outstanding over a wide temperature range. The sensor is easy to install with mounting options including M8 rod eye bearings and body clamps. The push rod can be supplied free or captive, with male M8 thread, an M8 rod eye, or dome end, Captive push rods can be sprung loaded, in either direction, on sensors up to 300 mm of travel. The X125 also offers a range of mechanical options, environmental sealing is to IP68 350 Bar.

Specifications

Dimensions	
Body diameter	40 mm electronics and 35 mm
Body length (Axial version)	measurement length + 184 mm
Body length (Radial version)	measurement length + 189 mm
Push rod extension	measurement length + 7 mm, OD 12.6 mm
For full mechanical details see drawing X125-11	
Power Supply	+5V dc nom. ± 0.5V, 10mA typ 20mA max
Output Signal	0.5-4.5V dc ratiometric, Load: 5kΩ min.
Independent Linearity	≤ ± 0.25% FSO @ 20°C - up to 450 mm ≤ ± 0.5% FSO @ 20°C - over 450 mm ≤ ± 0.1% FSO @ 20°C* available upon request.
*Sensors with calibrated travel from 10 mm up to 400 mm.	
Temperature Coefficients	< ± 0.01%/°C Gain & < ± 0.01%FS/°C Offset
Frequency Response	> 10 kHz (-3dB)
Resolution	Infinite
Noise	< 0.02% FSO
Intrinsic Safety	Ex II 1G Ex ia IIC T4 Ga (Ta= -40°C to 80°C)
Approval only applies to the specified ambient temperature range and atmospheric conditions in the range 0.80 to 1.10 Bar, oxygen ≤ 21%	
Sensor Input Parameters (without cable) (with cable)	Ui: 11.4V, Ii: 0.20A, Pi: 0.51W. Ci: 1.16µF, Li: 50µH Ci: 1.36µF, Li: 860µH with 1km max. cable

Specifications (continued)

Environmental Temperature Limits (Non Icing)	
Operating	-40°C to +80°C
Storage	-40°C to +125°C
Sealing	IP68 350 Bar
EMC Performance	EN 61000-6-2, EN 61000-6-3
Vibration	IEC 68-2-6: 10 g
Shock	IEC 68-2-29:40 g
MTBF	350,000 hrs 40°C Gf
Drawing List	
X125-11	Sensor Outline

Drawings, in AutoCAD® dwg or dxf format, available on request.

Intrinsically safe equipment is defined as “equipment which is incapable of releasing sufficient electrical or thermal energy under normal or abnormal conditions to cause ignition of a specific hazardous atmosphere mixture in its most easily ignited concentration.”

ATEX / IECEx approved to;

- Ex II 1G
- Ex ia IIC T4 Ga (Ta = -40°C to +80°C)

Designates the sensor as belonging to; Group II: suitable for all areas **except mining**, Category 1 G: can be used in areas with continuous, long or frequent periods of exposure to hazardous gas (Zone 0).

Protection class ia, denotes intrinsically safe for all zones

Apparatus group IIC: suitable for IIA to IIC explosive gas.

Temperature class T4: maximum surface temperature under fault conditions 135°C.

Ambient temperature range extended to -40°C to +80°C.

It is imperative intrinsically safe sensors be used in conjunction with a galvanic barrier to meet the requirements of the product certification. The X005 Galvanic Isolation Amplifier is purpose made for this range making it the perfect choice. Refer to the X005 datasheet for product specification and output configuration options.

Safety Parameters:

Ui: 11.4V, Ii: 0.20A, Pi: 0.51W

Ci = 1.36µF* Li = 860µH* (with cable)

Ci = 1.16µF Li = 50µH (without cable)

*Figures for 1km cable where: Ci = 200pF/m & Li = 810nH/m

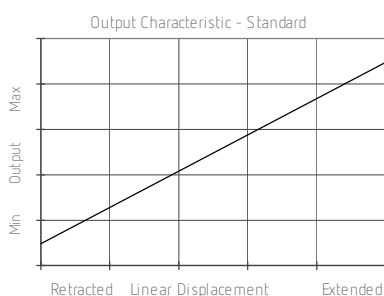
Sensors can be installed with a maximum of 1000m of cable.

Cable characteristics must not exceed:

Capacitance: ≤ 200 pF/m for max. total of: 200 nF.

Inductance: ≤ 810 nH/m for max. total of: 810 µH

For cable lengths exceeding 10 metres a five wire connection is recommended to eliminate errors introduced by cable resistance and associated temperature coefficients. ATEX / IECEx approved sensors suitable for dust (E series) and mining (M series) applications, are also available.



■ Table of options

Measurement range: Factory-set to any length from 5 to 800 mm in increments of 1mm.

Electrical interface options

The X005 Galvanic Isolation Amplifier is available with the following output options;

Standard: 0.5 - 9.5V or 4 - 20mA.

Reverse: 9.5 - 0.5V or 20 - 4mA.

Connector

Wet mate 4 pin MC BH-4-M (axial or radial)

Supplied with mating connector and 0.5 m cable as standard.

Mating connector with longer lengths available.

We recommend all customers refer to the 3 or 5-Wire Mode Connection section.

Mounting options

M8 rod eye bearing (radial versions), Body Tube Clamp/s (axial or radial versions).

Push rod options

Standard retained with M8x1.25 female thread, M8 rod eye bearing, Dome end, Sprung loaded (retraction or extension) or Free.

■ Three or Five-Wire Mode Connection

For intrinsically safe sensors in hazardous atmospheres

The aim of this document is to help readers who do not understand what is meant by three or five wire modes of connection between the galvanic isolation amplifier and sensor, and the factors behind them. It is by no means an in-depth technical analysis of the subject.

Whether opting for a pre-wired Intrinsically Safe sensor or one with a connector, choosing the right mode of connection and cable to suit the application requires careful consideration.

Interconnecting cables are not perfect conductors and offer resistance to current flow, the magnitude of resistance† depends on conductors resistivity, which changes with temperature, cross sectional area‡ and length. If the voltage were to be measured at both ends of a length of wire it would be found they are different, this is known as volts drop. Volts drop changes with current flow and can be calculated using Ohm's law, it should be noted that volts drop occurs in both positive and negative conductors. The effects of volts drop can be reduced by increasing the conductors cross sectional area, this does not however eliminate the effects due to temperature variation. There are instances where large cross-section cables are not practical; for example most standard industrial connectors of the type used for sensors have a maximum conductor capacity of 0.75mm², copper prices and ease of installation are other considerations.

This is important because the effects of volts drop can significantly alter the perceived accuracy of the sensor which is ratiometric i.e. the output signal is directly affected by the voltage across the sensor. Changes in temperature will also be seen as gain variation in the sensor output.

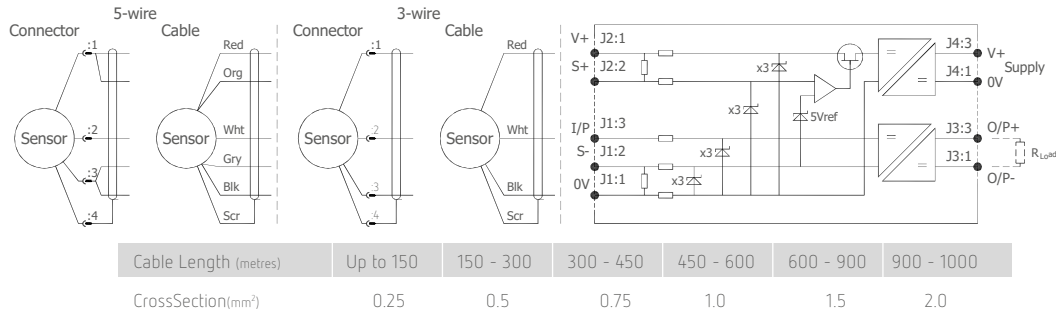
Three wire mode connections are common and are suitable in most cases with short or moderate cable runs. Applications that do not require a high degree of accuracy but have cable runs, say in excess of 10m, volts drop can be reduced by introducing a terminal box close to the sensor and using a larger cross-section cable for a majority of the cable run. Sensors supplied with three core cable are calibrated with the cable fitted which largely eliminates errors due to conductor resistance at room temperature however, as mentioned above, small gain errors due to temperature fluctuations should be expected.

Five wire mode connections have significant benefits as losses in the positive and negative conductors are compensated for by the galvanic isolation amplifier which can 'sense' the voltage across the sensor and dynamically adjust the output voltage so that the voltage across the sensor is correct. The effects of cable resistance and associated temperature coefficients are eliminated allowing for smaller conductors than a three wire connection for the same cable run. The amplifier can compensate for up to 15Ω per conductor with a current flow of 15mA, which is more than adequate for 150m of 0.25 mm² cable, longer lengths will require larger conductors.

For this reason we recommend five wire connections for cable lengths exceeding 10 metres in 0.25 mm² cable to preserve the full accuracy of the sensor.

■ Three or Five-Wire Mode Connection (continued)

See illustrations below for examples of connecting a sensor to the galvanic isolation amplifier.



The table above shows recommended conductor sizes with respect to cable length for both three and five wire connections, based on copper conductors. Three wire connections will introduce a gain reduction of 5% and a $\pm 1\%$ temperature dependence of gain over the range -40°C to $+80^{\circ}\text{C}$ for the cable temperature. (i.e. about -150 ppm/ $^{\circ}\text{C}$ for the maximum lengths shown and less pro rata for shorter lengths.)

It should be noted that the maximum cable length, as specified in the sensor certification, takes **precedence** and **must not** be exceeded.

The sensors are supplied with three core cable as standard, however five core cable can be supplied on request. The galvanic isolation amplifier is available as;

- A005-*** for 'A' prefix sensors
- G005-*** for 'G' and 'H' prefix sensors
- X005-*** for 'E', 'M' and 'X' prefix sensors

[†] $R = L/A$ is the resistivity of the conductor (Ωm) L is the length of conductor (m) A is the conductor cross-sectional area (m^2).

[‡] It is presumed that direct current flow is uniform across the cross-section of the wire, the galvanic isolation amplifier and sensor are a dc system.