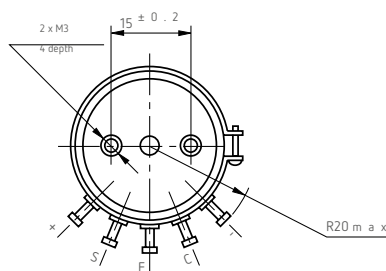
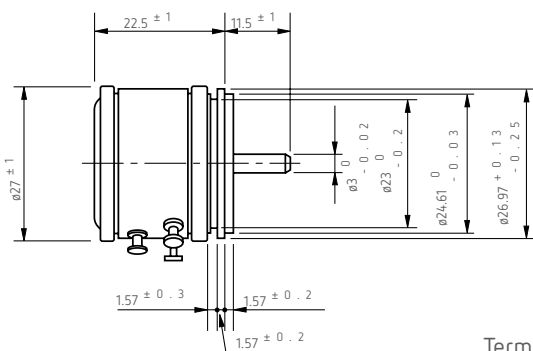




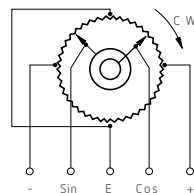
α FSCB30A

Standard dimensions



Model FSCB30A

Terminal Connection Diagram



General Specifications

Standard Resistance

Values: 1k, 2k, 5k, 10k (Ω)

Special Practical

Resistance Values: 500, 20k, 50k (Ω)

Total Resistance

Tolerance: Standard Class ±15% (L)

Precision Class ±10% (K)

Conformity Tolerance:

(Peak-Peak) Resolution: Standard Class ±1.0%

Output Smoothness: Precision Class ±0.7%

Essentially infinite

Within 0.1% against input voltage

Contact Resistance

Variation: Within 8% C.R.V.

Power Rating: 0.75W

Electrical Travel: 360° (Endless)

Mechanical Travel: 360° (Endless)

Insulation Resistance: Over 1,000MΩ at 500 V.D.C.

Dielectric Strength: 1 minute at 500 V.A.C.

Starting Torque: Within 3mN·m (30gf·cm)

Max. Working Voltage: 250V

Resist. Temperature Coefficient: ±400p.p.m./°C

Mass: Approx. 30g

Special Specifications Available

Multi-ganged (available up to 3 gangs. Housing length is extended by 16mm per 1 gang), shaft with front and rear extension (rear shaft with 3mm dia. and 10mm length), shaft dia. (ø3.175mm) with inch dimensions, special machining on the shaft.