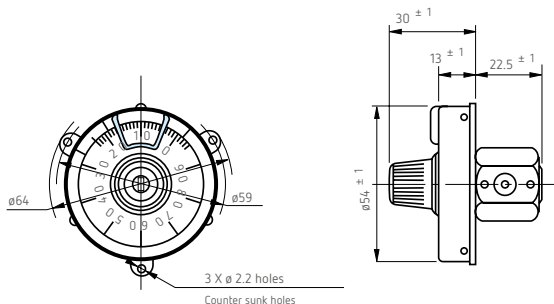


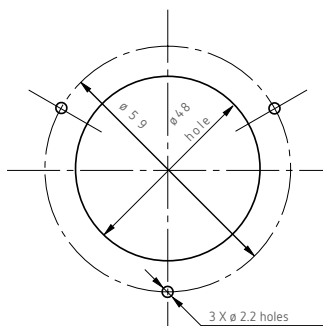


**α MA**

■ Model MAn-55



Panel Arrangements



Model MA10-55

■ General Specifications

Model No	3, 5, 10, 15, 20	Matching Shaft Dia. (mm)		Combinable Helicalohm Pot. (Matching shaft length of 18.5mm)	Lock Device	Operating Temperature Range	Mass (Approx. g)
		Standard	Special				
MAn-55		6	6.35	25HP 46HD	No	- 55 °C ~ +105 °C	90

■ How to mount MA series



Model MA Series counting dial employs special adaptor for being mounted on Helicalohm pot. and its use requires a considerable skill or technique. If a dial is ordered together with our Helicalohm Potentiometer, these will be combined at Althenis and will be supplied in

■ Special Specifications Available

- Special graduation to your request.
- Acrylic resin cover fitted.
- Special mounting panel as shown on the right-hand drawing fitted.

