




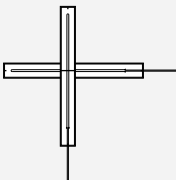
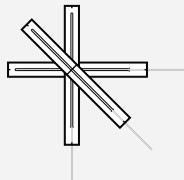
ε Series "P"



Description

Compatible adhesive & Operational temperature  
CN-E: -20~+ 80°C  
RP-2: -20~+ 80°C

Operational temperature -20~+80°C  
Temperature compensation range +10~+80°C  
Quarter bridge with 3-wire system is usable to avoid an unexpected effect of resistance change with temperature.

CONCRETE, MORTAR, ROCK MATERIALS USE						
Gauge pattern	Type	Gauge size		Backing		Resistance in Ω
		L	W	L	W	
<p>This is a wire strain gauge having polyester resin backing. It is mainly used for measurement on concrete, mortar or rock.</p> <p>● Single-element (G.F. 2.1 approx.)</p>  <p>PL-60-11</p>		L : length		W : width (Unit mm)		
<p>● 90° 2-element Cross (G.F. 2.1 approx.)</p> 		<p>Single-element</p> <p>PL-60-11 60 1</p> <p>PL-90-11 90 1</p> <p>PL-120-11 120 1</p>		<p>90° 2-element Cross</p> <p>PLC-60-11 60 1</p>		120
<p>● 45°/90° 3-element Rosette (G.F. 2.1 approx.)</p> 		<p>45° /90° 3-element Rosette</p> <p>PLR-60-11 60 1</p>		<p>74 8</p> <p>105 8</p> <p>135 8</p> <p>74 74</p> <p>74 74</p>		
<p>PLC-60-11 (x1/4) PLR-60-11 (x1/4) (G.F. 2.1 approx.)</p>		<p>Each package contains 10 gauges.</p>				

Leadwire-integral P series

This gauge has a pre-attached vinyl lead wire to P series. Works for lead wire connection such as strain gauge terminal installation and lead wire soldering are not required. It saves much time and labor.

● Single-element (G.F. 2.1 approx.)

0.11mm<sup>2</sup> integral vinyl leadwire

Total leadwire resistance per meter : 0.32Ω

2-wire system



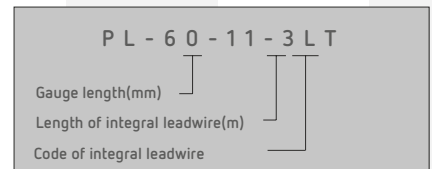
PL-60-11-1L

PL-60-11		60	1	74	8	120
PL-90-11	-1L					
	-3L					
	-5L	90	1	105	8	120
PL-120-11	-3LT					
	-5LT	120	1	135	8	120

3-wire system



PL-60-11-3LT



Each package contains 10 gauges.

Leadwire-integral service is not available with 2-element, 3-element gauge of P series.