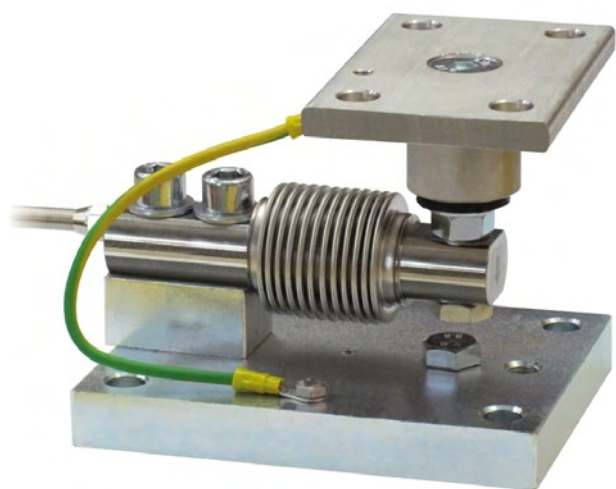


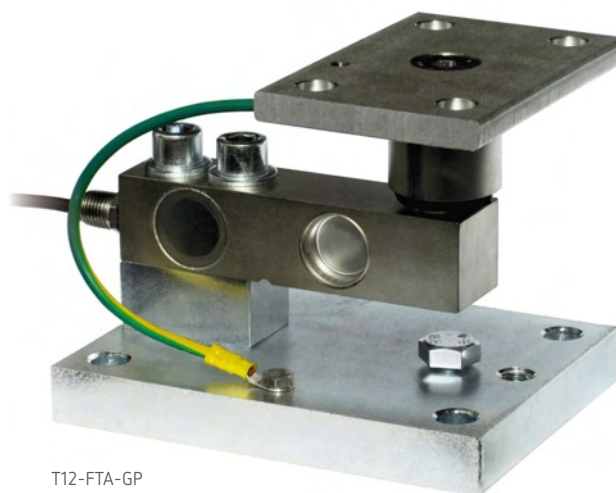
N T12-GP

Description

- Series Load cell: FCAL - FCAX - FTL - FTK - FTKL - FTP - FT-P - FTZ
- Application range from 30 to 2000 kg



T12-FCA-GP



T12-FTA-GP

Technical data

MAX STATIC LOAD	kg	FOR LOAD CELLS	NET WEIGHT OF MOUNTING KIT (kg)	CODE
1500		FCAL - FCAX	4	T12FCAGP
2000		FTL - FTK - FTKL - FTP - FT-P - FTZ	4	T12FTAGP

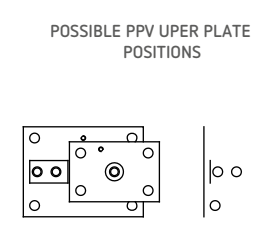
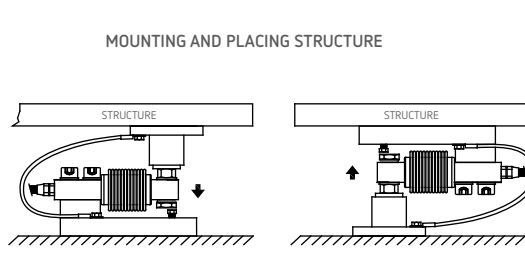
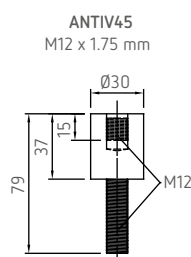
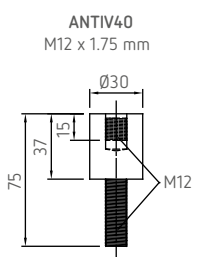
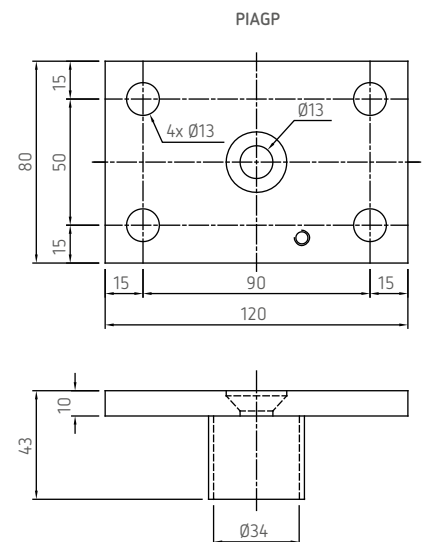
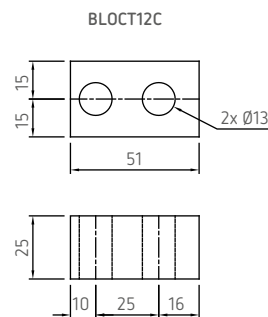
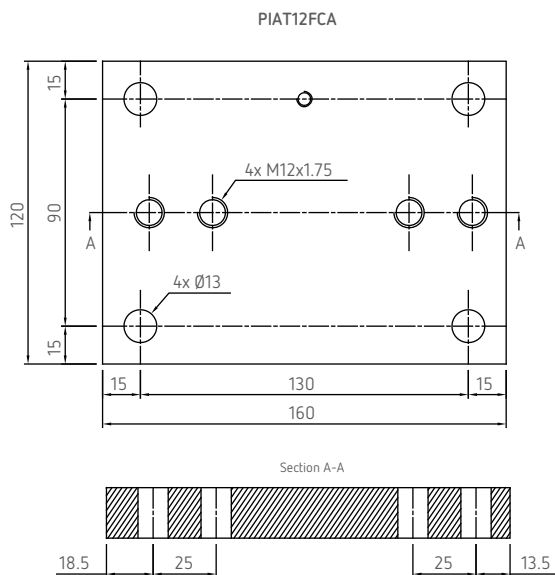
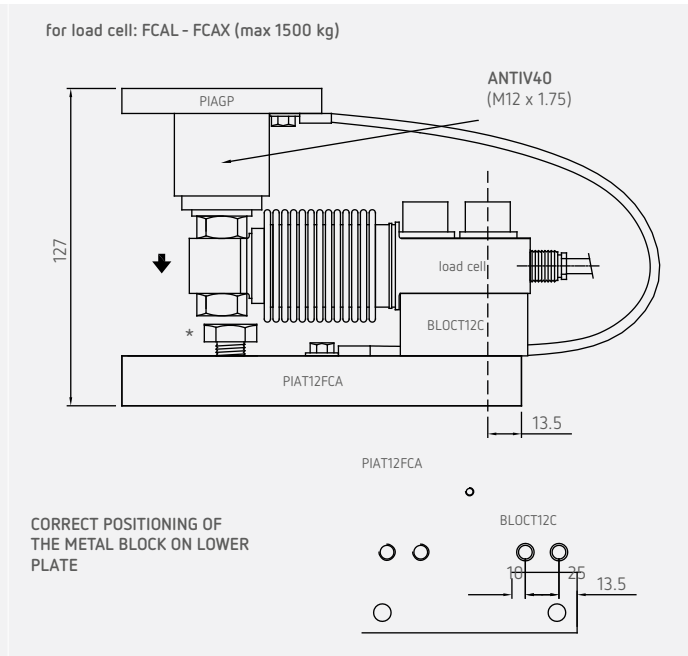
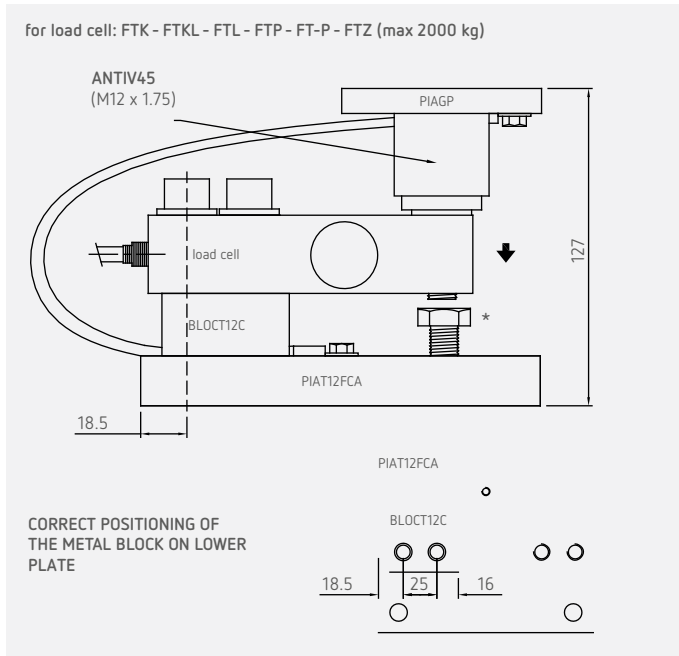
Load cell not included.

Description

- Upper plate with a compression joint in AISI 304 stainless steel and rubber.
- Lower plate and block in galvanized steel.
- Misalignment compensation of the support plates structure.
- Adjustable height.
- Locking screw to avoid damage during transport and installation.

Dimensions and technical specifications

- During the transport and installation the lock (*) must touch under the load cell. After installation, move the lock away from the load cell.
- Interconnect the lower plates to the earthing.
- In case of structure with four-point support, if one-point does not touch the compression joint, you must proceed to insert a shim before fixing the bolts.



The information provided herein is to the best of our knowledge true and accurate, it is provided for guidance only. All specifications are subject to change without prior notification.

Althen – Your expert partner in Sensors & Controls | althensensors.com

Althen stands for pioneering measurement and custom sensor solutions. In addition we offer services such as calibration, design & engineering, training and renting of measurement equipment.

Germany / Austria / Switzerland
info@althen.de

Benelux
sales@althen.nl

France
info@althensensors.fr

Sweden
info@althensensors.se

USA / Canada
info@althensensors.com

Other countries
info@althensensors.com