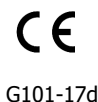


mm LIPS® G101

Stand-alone linear position sensor
Intrinsically safe for hazardous
gas/vapour atmospheres

- Intrinsically safe for Gas to:
Class I, Zone 0 Ex ia / AEx ia
- Non-contacting inductive technology to eliminate wear
- Travel set to customer's requirement
- High durability and reliability
- High accuracy and stability
- Sealing to IP65/IP67 as required



G101 LIPS® (Linear Inductive Position Sensor) incorporates electronics system EX06 which is CSA approved for use in potentially explosive gas/vapour atmospheres. The G101 is designed for industrial and scientific feedback applications and is ideal for OEMs seeking good sensor performance for arduous applications in hazardous areas. The unit is highly compact and space-efficient, being responsive along almost its entire length.

The G101, provides a linear output proportional to travel. Each unit is supplied with the output calibrated to the travel required by the customer, any stroke from 0- 5mm to 0-800mm and with full EMC protection built in. The sensor is very robust, the body and push rod being made of stainless steel for long service life and environmental resistance.

Overall performance, repeatability and stability are outstanding over a wide temperature range. The sensor is easy to install with mounting options including M5 rod eye bearings and body clamps. The push rod can be supplied free or captive, with female M5 thread, an M5 rod eye, or dome end, Captive push rods can be sprung loaded, in either direction, on sensors up to 300mm of travel. The G101 also offers a wide range of mechanical options, environmental sealing is to IP65 or IP67, depending on selected cable or connector options.

**SPECIFICATIONS**

- Dimensions**

| | |
|------------------------------|-------------------------------------|
| Body diameter | 35 mm |
| Body length (Axial version) | calibrated travel + 163 mm |
| Body length (Radial version) | calibrated travel + 186 mm |
| Push rod extension | calibrated travel + 9 mm, OD 9.5 mm |

For full mechanical details see drawing G101-11

- Power Supply**

+5V dc nom. $\pm 0.5V$, 10mA typ 20mA max

- Output Signal**

0.5-4.5V dc ratiometric, Load: 5k Ω min.

- Independent Linearity**

$\leq \pm 0.25\%$ FSO @ 20°C - up to 450 mm
 $\leq \pm 0.5\%$ FSO @ 20°C - over 450 mm
 $\leq \pm 0.1\%$ FSO @ 20°C* available upon request.

*Sensors with calibrated travel from 10 mm up to 400 mm.

- Temperature Coefficients**

$< \pm 0.01\%$ / °C Gain &
 $< \pm 0.01\%$ FS / °C Offset

- Frequency Response**

> 10 kHz (-3dB)

- Resolution**

Infinite

- Noise**

$< 0.02\%$ FSO

- Intrinsic Safety**

Class I, Zone 0
 Ex ia IIC T4 (Ta = -40°C to +80°C)
 AEx ia IIC T4 (Ta = -40°C to +80°C)

Approval only applies to the specified ambient temperature range and atmospheric conditions in the range 0.80 to 1.10 Bar, oxygen $\leq 21\%$

- Sensor Input Parameters**

Ui: 11.4V, Ii: 0.20A, Pi: 0.51W.

(connector option/s)

Ci: 1.16 μ F, Li: 50 μ H

(cable option/s)

Ci: 1.36 μ F, Li: 710 μ H with 1km max. cable

- Environmental Temperature Limits**

| | |
|-----------|-----------------|
| Operating | -40°C to +80°C |
| Storage | -40°C to +125°C |

- Sealing**

IP65/IP67 depending on connector / cable option

- EMC Performance**

EN 61000-6-2, EN 61000-6-3

- Vibration**

IEC 68-2-6: 10 g

- Shock**

IEC 68-2-29: 40 g

- MTBF**

350,000 hrs 40°C Gf

- Drawing List**

| | |
|---------|----------------|
| G101-11 | Sensor Outline |
|---------|----------------|

Drawings, in AutoCAD® dwg or dxf format, available on request.

Do you need a position sensor made to order to suit a particular installation requirement or specification?
 We'll be happy to modify any of our designs to suit your needs - please contact us with your requirements.

Intrinsically safe equipment is defined as “equipment which is incapable of releasing sufficient electrical or thermal energy under normal or abnormal conditions to cause ignition of a specific hazardous atmosphere mixture in its most easily ignited concentration.”

CSA approved to;

Class I, Zone 0

Ex ia IIC T4 (Ta = -40°C to +80°C)

AEx ia IIC T4 (Ta = -40°C to +80°C)

Designates the sensor as belonging to; Class I, Zone 0: can be used in areas with continuous, long or frequent periods of exposure to hazardous gas / vapours.

Protection class ia IIC, denotes intrinsically safe for Zones 0, 1 & 2 and IIA, IIB and IIC explosive gases. Temperature class T4: maximum sensor surface temperature under fault conditions 135°C. Ambient temperature range extended to -40°C to +80°C. It is imperative intrinsically safe sensors be used in conjunction with a galvanic barrier to meet the requirements of the product certification. The G005 Galvanic Isolation Amplifier is purpose made for IS sensors making it the perfect choice. Refer to the G005 datasheet for product specification and output configuration options.

Safety Parameters:

Ui: 11.4V, Ii: 0.20A, Pi: 0.51W

Ci = 1.36µF* Li = 710µH* (cable option /s)

Ci = 1.16µF Li = 50µH (connector option /s)

*Figures for 1km cable where: Ci = 200pF/m & Li = 660nH/m

Sensors can be installed with a maximum of 1000m of cable.

Cable characteristics must not exceed:

Capacitance: ≤ 200 pF/m for max. total of: 200 nF.

Inductance: ≤ 660 nH/m for max. total of: 660 µH

For cable lengths exceeding 10 metres a five wire connection is recommended to eliminate errors introduced by cable resistance and associated temperature coefficients.

CSA approved sensors suitable for dust (H series, USA only) applications, are also available.

TABLE OF OPTIONS

CALIBRATED TRAVEL:

Factory set to any length from 0-5mm to 0-800mm (e.g. 254mm)

ELECTRICAL INTERFACE OPTIONS

Axial sensors supplied with access to output „zero“ and „span“ calibration adjustments as standard. No access option available.

G005 Galvanic Isolation Amplifier is available with the following output options;

Standard: 0.5 - 9.5V or 4 - 20mA.
Reverse: 9.5 - 0.5V or 20 - 4mA.

CONNECTOR/CABLE OPTIONS

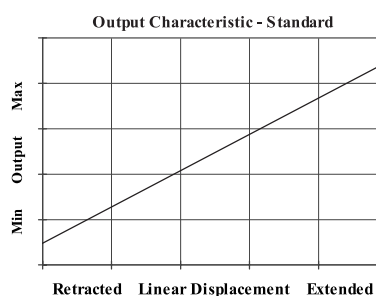
| | |
|--------------------------------------|--------------|
| Connector - Hirschmann GD series | Axial, IP65 |
| Connector - Hirschmann ELWIK 4102 | Radial, IP67 |
| Cable† with M12 gland or short gland | Axial, IP67 |
| Cable† with Pg 9 gland | Radial, IP67 |

†Three core (black jacket) or five core (blue jacket) cable options available. Cable length >50 cm – please specify length in cm up to 15000 cm max. We recommend all customers refer to the 3 or 5-Wire Mode Connection page.

MOUNTING OPTIONS

M5 rod eye bearing (radial versions), Body Tube Clamp/s (axial or radial versions).

PUSH ROD OPTIONS – standard retained with M5x0.8 female thread, M5 rod eye bearing, Dome end, Sprung loaded (retraction or extension) or Free.



■ THREE OR FIVE-WIRE MODE CONNECTION

For intrinsically safe sensors in hazardous atmospheres

The aim of this document is to help readers who do not understand what is meant by three or five wire modes of connection between the galvanic isolation amplifier and sensor, and the factors behind them. It is by no means an in-depth technical analysis of the subject.

Whether opting for a pre-wired Intrinsically Safe sensor or one with a connector, choosing the right mode of connection and cable to suit the application requires careful consideration.

Interconnecting cables are not perfect conductors and offer resistance to current flow, the magnitude of resistance[†] depends on conductors resistivity, which changes with temperature, cross sectional area[‡] and length. If the voltage were to be measured at both ends of a length of wire it would be found they are different, this is known as volts drop. Volts drop changes with current flow and can be calculated using Ohm's law, it should be noted that volts drop occurs in both positive and negative conductors. The effects of volts drop can be reduced by increasing the conductors cross sectional area, this does not however eliminate the effects due to temperature variation. There are instances where large cross-section cables are not practical; for example most standard industrial connectors of the type used for sensors have a maximum conductor capacity of 0.75mm², copper prices and ease of installation are other considerations.

This is important because the effects of volts drop can significantly alter the perceived accuracy of the sensor which is ratiometric i.e. the output signal is directly affected by the voltage across the sensor. Changes in temperature will also be seen as gain variation in the sensor output.

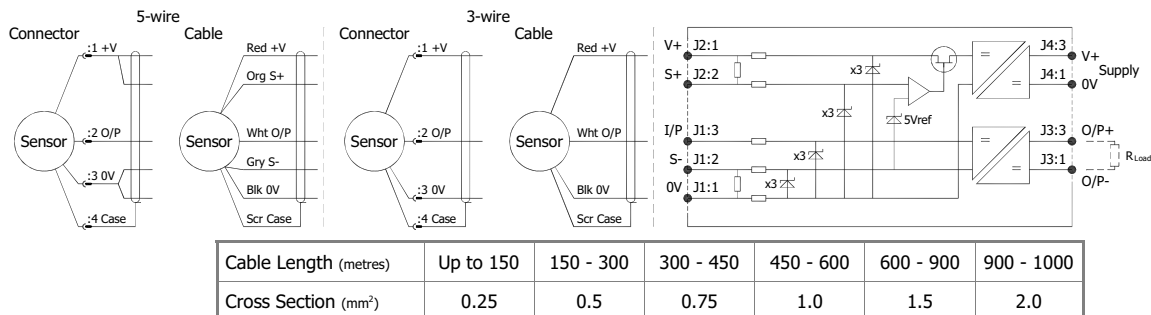
Three wire mode connections are common and are suitable in most cases with short or moderate cable runs. Applications that do not require a high degree of accuracy but have cable runs, say in excess of 10m, volts drop can be reduced by introducing a terminal box close to the sensor and using a larger cross-section cable for a majority of the cable run. Sensors supplied with three core cable are

calibrated with the cable fitted which largely eliminates errors due to conductor resistance at room temperature however, as mentioned above, small gain errors due to temperature fluctuations should be expected.

Five wire mode connections have significant benefits as losses in the positive and negative conductors are compensated for by the galvanic isolation amplifier which can 'sense' the voltage across the sensor and dynamically adjust the output voltage so that the voltage across the sensor is correct. The effects of cable resistance and associated temperature coefficients are eliminated allowing for smaller conductors than a three wire connection for the same cable run. The amplifier can compensate for up to 15Ω per conductor with a current flow of 15mA, which is more than adequate for 150m of 0.25 mm² cable, longer lengths will require larger conductors.

For this reason, we recommend five cable connections for cable lengths over 10 meters in 0.25 mm² cable to get the full accuracy of the sensor.

See illustrations below for examples of connecting a sensor to the galvanic isolation amplifier.



The table above shows recommended conductor sizes with respect to cable length for both three and five wire connections, based on copper conductors. Three wire connections will introduce a gain reduction of 5% and a ±1% temperature dependence of gain over the range -40°C to +80°C for the cable temperature. (i.e. about -150 ppm/°C for the maximum lengths shown and less pro rata for shorter lengths.)

It should be noted that the maximum cable length, as specified in the sensor certification, takes precedence and must not be exceeded.

Sensors are supplied with three core 0.25 mm² cable as standard, however five core 0.25 mm² cable can be supplied on request.

The galvanic isolation amplifier is available as;

G005-*** for 'G' and 'H' prefix sensors

X005-*** for 'E', 'M' and 'X' prefix sensors

[†] $R = \rho L / A$ ρ is the resistivity of the conductor (Ωm) L is the length of conductor (m)
 A is the conductor cross-sectional area (m²).

[‡]It is presumed that direct current flow is uniform across the cross-section of the wire, the galvanic isolation amplifier and sensor are a dc system.