



N AZLI Single Point Loadcell



Description

- 17-4 ph stainless steel
- Combined error = $\pm 0.02\%$ (0.017% c4)
- Protection class IP68

MOUNTING KITS



Capacity from 10 kg to 50 kg



Capacity from 100 kg to 500 kg

| CAPACITY | kg | ACCURACY CLASS C3 | ACCURACY CLASS C4 | | | PLATFORM DIMENSION (mm) | NET WEIGHT OF LOAD CELL | CODE |
|----------|-----|----------------------|----------------------|---|---|----------------------------|----------------------------|---------|
| | 10 | • | • | • | • | 400 x 400 | 0.9 | AZLI10 |
| | 20 | • | • | • | • | 400 x 400 | 0.9 | AZLI20 |
| | 50 | • | • | • | • | 400 x 400 | 1 | AZLI50 |
| | 100 | • | – | • | • | 800 x 800 | 2.7 | AZLI100 |
| | 200 | • | – | • | • | 800 x 800 | 2.7 | AZLI200 |
| | 300 | • | – | • | • | 800 x 800 | 2.8 | AZLI300 |
| | 500 | • | – | • | • | 800 x 800 | 2.8 | AZLI500 |

ON REQUEST

Certifications

OIML R60 C3

CERTIFICATIONS ON REQUEST

Declaration of conformity + IP69K marking protection rating
Water protection when cleaning high pressure / steam jet (Test: pressurized hot water is sprayed from a distance of 150 mm).
Water pressure 100 bar; temperature 80 ° C; test duration 250 seconds (Reference standard DIN 40050-9).

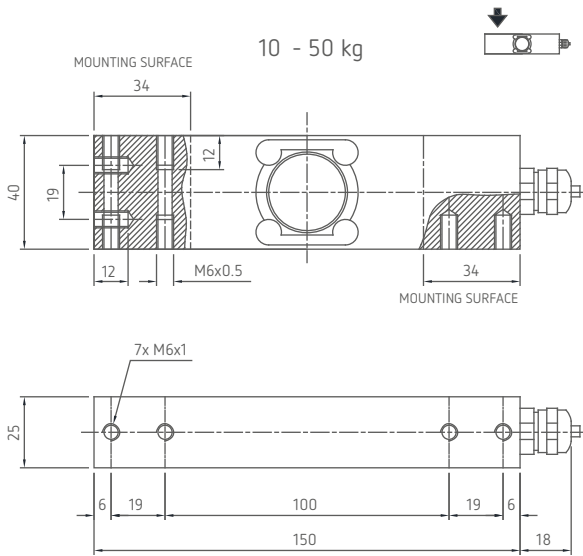
ATEX II 1GD (zone 0-1-2-20-21-22)

IECEx (zone 0-1-2-20-21-22)

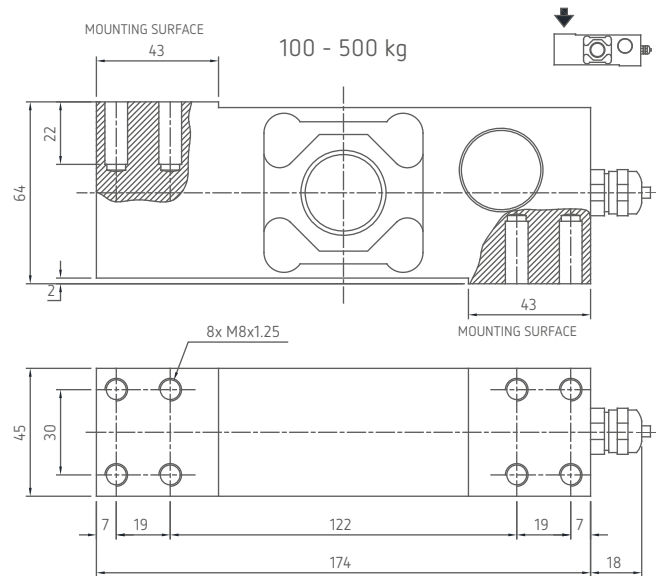
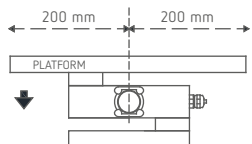
OIML R60 C4

Complies with the Eurasian Custom Union regulations (Russia, Belarus, Kazakhstan)

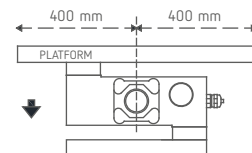
■ Dimensions (mm)



EXAMPLE OF APPLICATION



EXAMPLE OF APPLICATION

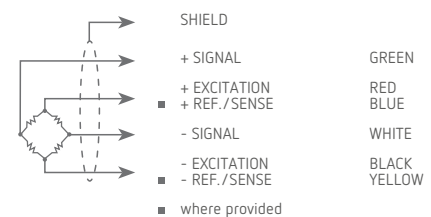


■ Technical features

| | | | |
|--|---|-------------------------------------|-----------------|
| Material | 17-4 PH Stainless steel | | |
| OIML R60 Accuracy class · Verification intervals | C3 · 3000 | | C4 · 4000 |
| Nominal load (E max) | 10 - 20 - 50 - 100 - 200 - 300 - 500 kg | | 10 - 20 - 50 kg |
| Minimum verification interval (V min) | E max / 10000 | | E max / 40000 |
| Combined error | ≤±0.02% | | ≤±0.017% |
| Protection class | IP68 | | |
| Rated output | 2 mV/V ±10% | Input resistance | 350 Ω ±3.5 |
| Temperature effect on zero | 0.0017% °C | Output resistance | 350 Ω ±3.5 |
| Temperature effect on span | 0.0014% °C | Zero balance | ±2% |
| Compensated temperature range | -10 °C / +40 °C | Insulation resistance | ≥5000 MΩ |
| Operating temperature range | -35 °C / +65 °C | Safe overload (% of full scale) | 150% |
| Creep at nominal load in 30 minutes | 0.02% | Ultimate overload (% of full scale) | 300% |
| Max supply voltage without damage | 18 V | Deflection at nominal load | 0.5 mm |

■ Electrical connections

| | |
|----------------|----------------------------|
| Cable length | 3 m |
| Cable diameter | 5 mm |
| Cores | 4/6 x 0.20 mm ² |



The information provided herein is to the best of our knowledge true and accurate, it is provided for guidance only. All specifications are subject to change without prior notification.

Althen – Your expert partner in Sensors & Controls | althensensors.com

Althen stands for pioneering measurement and custom sensor solutions. In addition we offer services such as calibration, design & engineering, training and renting of measurement equipment.

Germany/Austria/Switzerland
info@althen.de

Benelux
sales@althen.nl

France
info@althensensors.fr

Sweden
info@althensensors.se

USA/Canada
info@althensensors.com

Other countries
info@althensensors.com