



α PRI100H

Features

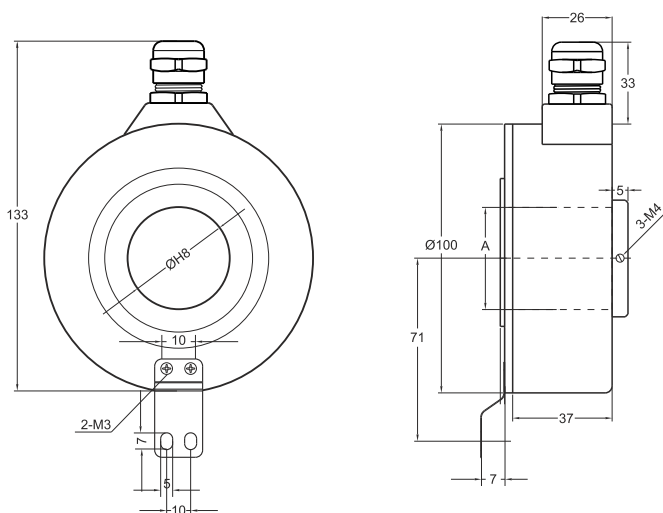
- 100 mm case diameter
- 1024 ppr.
- Hollow shaft diameter 25 - 28 - 30 - 35 - 38mm
- 3500 rpm max.
- Lift and elevator applications



Technical Specifications

Resolution	1024 ppr.	Max. Speed	3.500 rpm
Output Channels	A,B,Z or A \bar{A} , B \bar{B} , Z \bar{Z} .	Shaft diameter	Ø25-28-30-35-38 mm
Output Type	Push-pull, TTL Linedriver or HTL Linedriver	Shaft material	Aluminium
Supply Voltage	5V DC or 8-24V DC or 5-24V DC	Case diameter	Ø100 mm
Power Consumption (without load)	< 40 mA (24 VDC)	Case material	Aluminium Painted Steel
Electrical Connections	2.5m Cable (Standard)	IP Degree	IP 50
Electrical Connections	2.5m (Standard) 5 Wire+ Shield for Pushpull 2.5m (Standard) 8 Wire+ Shield for Linedriver	Operating temperature	-20°C ... +80°C
		Storage temperature	-30°C ... +90°C

Max. Permissible Shaft Loading Radial 100 N
Axial 60 N



H Type (Radial)

Linedriver Cable Output

- Ch A : Yellow
- Ch A inv. : Blue
- Ch B : Green
- Ch B inv. : Red
- Ch Z : Gray
- Ch Z inv. : Pink
- +V : Brown
- 0V : White
- GND : Shield

Push-Pull Cable Output

- Ch A : Yellow
- Ch B : Green
- +V : Brown
- 0V : White
- GND : Shield

Model	Case Diameter	Case Type	Shaft Diameter	Output Type	Resolution	Output Channels	Supply Voltage	Connector / Cable	Cable Output
(example) PRI	100	H	25	LTP	1024	Z	V2	2M5	R
PRI	100	H : Hollow	25 mm 28 mm 30 mm 35 mm 38 mm	LTP : Push-Pull LD : TTL Linedriver HLD : HTL Linedriver	1024 ppr.	Z : A, B, Z B : A, B	V1 : 5V DC V2 : 8-24V DC V3 : 5-24V DC	2M5 : 2,5 meter cable 5M : 5 meter cable 8M : 8 meter cable 10M : 10 meter cable C12 : 12 pin connector	R : Radial

07.2019 | version 0001

The information provided herein is to the best of our knowledge true and accurate, it is provided for guidance only. All specifications are subject to change without prior notification.

Althen – Your expert partner in Sensors & Controls | althensensors.com

Althen stands for pioneering measurement and custom sensor solutions. In addition we offer services such as calibration, design & engineering, training and renting of measurement equipment.

Germany / Austria / Switzerland
info@althen.de

Benelux
sales@althen.nl

France
info@althensensors.fr

Sweden
info@althensensors.se

USA / Canada
info@althensensors.com

Other countries
info@althensensors.com