

**NSZ1-IP****Single axis tilt switching system with 2 switching contacts and switching delay**

- Measuring range $\pm 3^\circ$ up to $\pm 60^\circ$ or 0 ... 90°
- Switching accuracy max. 0,5% of measuring range
- Supply voltage 18 ... 30 VDC
- Output: 2 potential-free switching contacts (max. 30VDC/0,5A)

**Description**

The single axis industrial tilt switching system NSZ1-IP is the combination of a non-contact inclination sensor AccuStar®-EA and sensor adapted electronics. The measuring system is designed for precise tilt monitoring in one axis and intended for side assembly. Available tilt measuring & monitoring ranges are $\pm 3^\circ$ to $\pm 60^\circ$ or 0 ... 10° to 0 ... 90° . By using the build-in potentiometers, which can be seen after removing the case cover, the switching setpoints can be adjusted as needed over the whole measuring range. The relays have potential-free switching contacts (max. 30 VDC / 0.5 A). The switching delay of the relay is 1 sec at the standard version. Other switching delays possible on request.

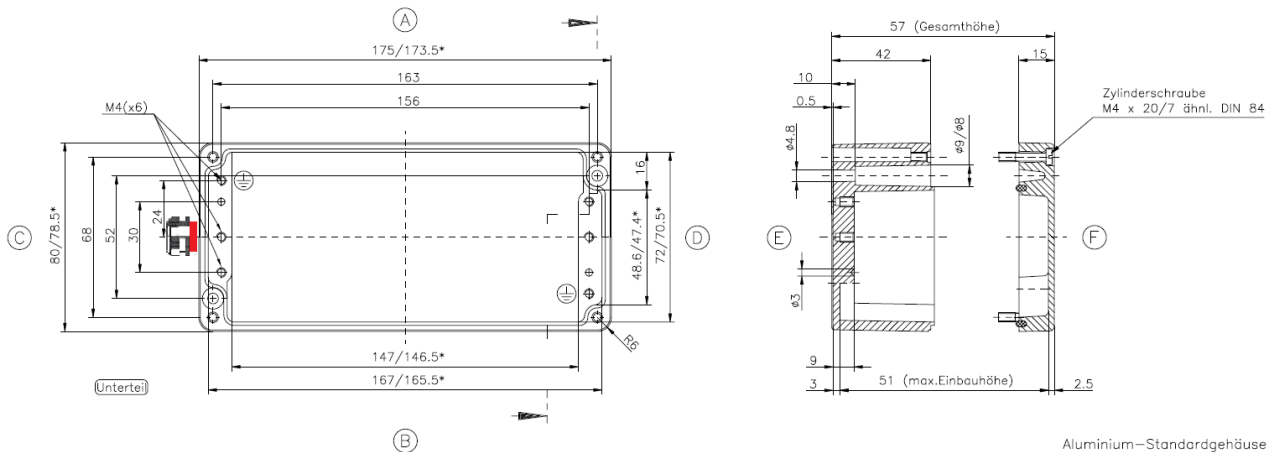
The tilt measuring system is built into a robust EMC-safe die-cast aluminium enclosure (IP66), which is well suited for applications in rough and industrial environments.

Specifications

Number of measuring axis:	1
Supply voltage:	18 ... 30 VDC, electronics protected against voltage reversal
Power consumption:	ca. 4 W
Test signal:	2 ... 10 V, not short-circuit proof
Frequency range (-3dB):	0,5 Hz
Preferred measuring range:	$\pm 3^\circ, \pm 5^\circ, \pm 10^\circ, \pm 15^\circ, \pm 20^\circ, \pm 30^\circ, \pm 45^\circ, \pm 60^\circ$ 0 ... $10^\circ, 0 \dots 30^\circ, 0 \dots 45^\circ, 0 \dots 60^\circ, 0 \dots 90^\circ$ other measuring ranges on request
Cross-sensitivity:	< 1% up to $\pm 60^\circ$
Number of relay switching contacts / switching delay:	2 / 1 sec
Max. power rating of relay:	30 VDC / 0,5 A
Switching accuracy at 23 °C:	max. 0,5% of measuring range
Electrical connection:	M16 x 1,5 EMC cable glands on internal spring-cage terminal blocks
Enclosure:	EMC-safe aluminium die-cast enclosure
Protection class:	IP66
Dimensions (W x H x D):	175 x 80 x 57 mm (without EMC cable glands)
Weight:	1.000 g
Temperature, storage:	-20 ... +60 °C
Temperature, operating:	-20 ... +60 °C

For further specifications see datasheet AccuStar®-EA

■ Dimensions of enclosure



■ Terminal wiring

Electrical connections are made via the EMC cable glands to the internal spring-cage terminal blocks. The maximal connection cross section is 2,5 mm². Although this system is designed with a high degree of immunity to electromagnetic interferences (EMI), proper installation and wiring methods must be followed to ensure compatibility in each application.

Terminal	Description	Terminal	Description
1	+Supply voltage 18 ... 30 VDC	6	Setpoint 1 N/C contact -X-axis
2	Ground supply voltage	7	Setpoint 1 COM contact -X-axis
3	Setpoint 1 N/C contact +X-axis	8	Setpoint 1 N/O contact -X-axis
4	Setpoint 1 COM contact +X-axis	9	Ground test signal
5	Setpoint 1 N/O contact +X-axis	10	Test signal X-axis

Valid range: 3-4 closed, LED on; limit value exceeded: 4-5 closed, LED off
Valid range: 6-7 closed, LED on; limit value exceeded: 7-8 closed, LED off

■ Ordering information

NSZ1-IP-24E-...	Single axis tilt switching system with 2 switching contacts and switching delay
...-xx-...	Measuring range (see note below)
...-2G	2 adjustable switching setpoints with potential-free switching contacts (max. 30VDC / 0,5A)

Note: When placing an order, please fill in placeholder „xx“ with the wanted tilt measuring range.

Example:

Measuring range ±45° → NSZ1-IP-24E-B45-2G
Measuring range 0 ... 10° → NSZ1-IP-24E-010-2G

■ Customized Requirements

Technical modifications according to customer requirements are available on request. Moreover, we deliver customized special solutions for a lot of measuring tasks in the section pressure, force, position and tilt measuring using our measuring transducers. Do not hesitate to contact us.

We reserve the right to do technical changes without prior notice.

Germany | Switzerland | Austria
ALTHEN GmbH Mess- & Sensortechnik
Dieselstr. 2
65779 Kelkheim, Deutschland
Tel: + 49 (0)6195 - 70060
sales@althen.de

Netherlands | Belgium | Luxembourg
ALTHEIS bv Sensors & Controls
Vlietweg 17a
2266 KA Leidschendam, The Netherlands
Tel: +31 (0)70 392 4421
sales@altheris.nl

France
ALTHEIS Sensors & Controls
26, avenue de la Méditerranée
34110 Frontignan, France
Tél : 0033 (0)4 67 78 61 66
dbi@altheris.fr

USA | Canada
ALTHEIS Inc Sensors & Controls
2375 Woodacre Drive
Oceanside CA 92056, USA
Tel: +1 858-633-3572
sales@altheris.com

Version 07.2018

Other Countries
For our international sales partners please contact us by email at sales@althen.de
www.althen.de