



m/s² 786T
Dual output sensor

SPECIFICATIONS

Sensitivity, ±5%, 25°C		100 mV/g
Acceleration range, VDC > 25 V		80 g peak
Amplitude nonlinearity		1%
Frequency response:	±5%	3 - 5,000 Hz
	±10%	1 - 7,000 Hz
	±3 dB	0.5 - 12,000 Hz
Resonance frequency		30 kHz
Transverse sensitivity, max		5% of axial
Temperature response:	-25°C	-10%
	+120°C	+10%
Temperature sensor:		
	Output sensitivity	10 mV/°C
	Measurement range	2° to 120°C
Power requirement:		
	Voltage source	18 - 30 VDC
	Current regulating diode	2 - 10 mA
Electrical noise, equiv. g:		
Broadband	2.5 Hz to 25 kHz	700 µg
Spectral	10 Hz	10 µg/√Hz
	100 Hz	5 µg/√Hz
	1,000 Hz	5 µg/√Hz
Output impedance, max		100 Ω
Bias output voltage, nominal		12 VDC
Grounding		case isolated, internally shielded
Temperature range		-50° to +120°C
Vibration limit		500 g peak
Shock limit		5,000 g peak
Electromagnetic sensitivity, equiv. g, max		70 µg/gauss
Sealing		hermetic
Base strain sensitivity, max		0.0002 g/µstrain
Sensing element design		PZT, shear
Weight		90 grams
Case material		316L stainless steel
Mounting		1/4-28 UNF tapped hole
Output connector		3 pin, MIL-C-5015 style
Mating connector		R6GW
Recommended cabling		J9T3A

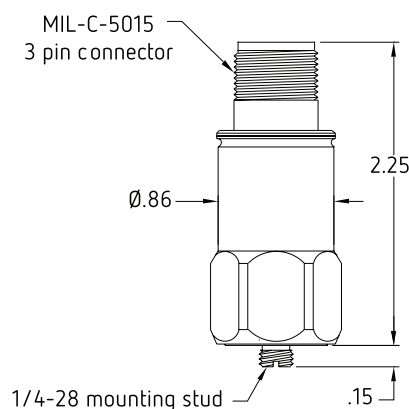


Note: Due to continuous process improvement, specifications are subject to change without notice. This document is cleared for public release.



Key features

- Accelerometer with internal temperature sensor
- Certified versions available for use in hazardous areas
- Manufactured in ISO 9001 facility



Connections	
Function	Connector pin
accelerometer power/signal	A
accelerometer and temp sensor common	B
temp sensor signal	C
ground/case	shell