



m/s² 376
High temperature accelerometer

SPECIFICATIONS

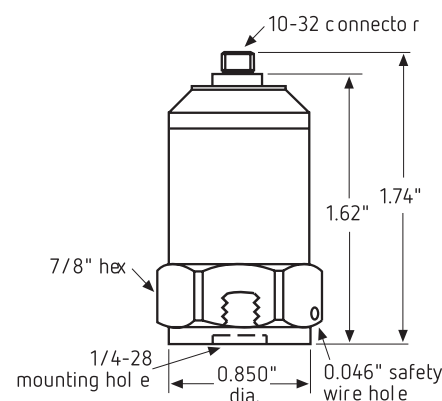
Sensitivity, 25°C, nominal	25 pC/g	
Amplitude nonlinearity, to 250 g	1%	
Frequency response:	±5%	6,000 Hz
	±10%	8,000 Hz
	±3 dB	12,000 Hz
Resonance frequency	30 kHz	
Transverse sensitivity, max	7% of axial	
Temperature response:	-50°C	+10%
	+260°C	+20%
Capacitance	500 pF	
Resistance, min	1,000 MΩ	
Grounding	case isolated	
Temperature range	-50° to +260°C	
Vibration limit	500 g peak	
Shock limit, max	5,000 g peak	
Sealing	welded	
Base strain sensitivity, max	0.002 g/μstrain	
Humidity limit	100% relative	
Sensing element design	PZT ceramic / compression	
Weight	75 grams	
Case material	stainless steel	
Mounting	1/4-28 tapped hole	
Output connector	10-32 coaxial	
Mating connector	R1	
Recommended cabling	J3	

Accessories supplied: SF6 mounting stud (international customers specify mounting requirements); calibration data (level 3)



Key features

- Industrial ruggedness
- Charge output
- 260°C operation
- Manufactured in ISO 9001 facility



Connections	
Function	Connector pin
crystal, positive	shell
crystal, negative	pin



Note: Due to continuous process improvement, specifications are subject to change without notice. This document is cleared for public release.

The information provided herein is to the best of our knowledge true and accurate, it is provided for guidance only. All specifications are subject to change without prior notification.

Althen – Your expert partner in Sensors & Controls | althensensors.com

Althen stands for pioneering measurement and custom sensor solutions. In addition we offer services such as calibration, design & engineering, training and renting of measurement equipment.

Germany / Austria / Switzerland
info@althen.de

Benelux
sales@althen.nl

France
info@althensensors.fr

Sweden
info@althensensors.se

USA / Canada
info@althensensors.com

Other countries
info@althensensors.com