



m/s² 376/CC701HT
Accelerometer/charge amplifier system

SPECIFICATIONS

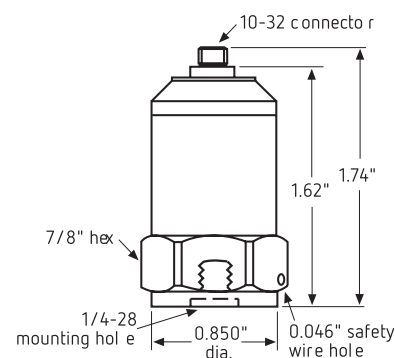
Sensitivity, ±10%, 25°C	100 mV/g
Acceleration range	50 g peak
Amplitude nonlinearity, to 50 g	1%
Frequency response:	
±10%	2 - 10,000 Hz
±3 dB	1 - 15,000 Hz
Resonance frequency	30 kHz
Transverse sensitivity	5% of axial
Temperature response:	
-50°C	-10%
+260°C	+20%
Power requirement:	
Voltage source	18 - 30 VDC
Current regulating diode	2 - 10 mA
Electrical noise, equiv. g:	
Broadband	0.001 g peak
Output impedance	<100 Ω
Bias output voltage	12 VDC
Grounding	ground isolated
Temperature range:	
376	-50° to +260°C
CC701HT	-40° to 100°C
Vibration limit	500 g peak
Shock limit	5,000 g peak
Base strain sensitivity	0.002 g/μstrain
Sensing element design	PZT, compression
Weight:	
376	75 grams
CC701HT	40 grams
Case material	316L stainless steel
Mounting	1/4-28 tapped hole
Mating connector	BNC jack
Standard cabling	R1-1-J3

Accessories supplied: SF6 mounting stud; calibration data (level 3)

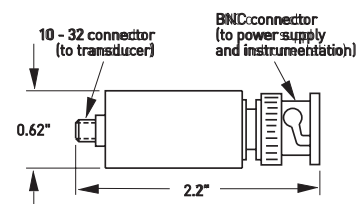


Key features

- Industrial ruggedness
- Charge output
- 260°C operation
- Manufactured in ISO 9001 facility



Model 376



Model CC701HT

Connections	
Function	Connector pin
power/signal	pin
common	shell



Note: Due to continuous process improvement, specifications are subject to change without notice. This document is cleared for public release.

The information provided herein is to the best of our knowledge true and accurate, it is provided for guidance only. All specifications are subject to change without prior notification.

Althen – Your expert partner in Sensors & Controls | althensensors.com

Althen stands for pioneering measurement and custom sensor solutions. In addition we offer services such as calibration, design & engineering, training and renting of measurement equipment.

Germany/Austria/Switzerland
info@althen.de

Benelux
sales@althen.nl

France
info@althensensors.fr

Sweden
info@althensensors.se

USA/Canada
info@althensensors.com

Other countries
info@althensensors.com