



728A / 728T
High sensitivity, compact accelerometers

SPECIFICATIONS

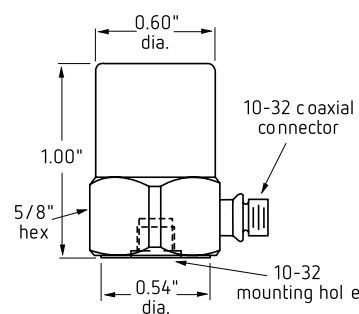
Sensitivity, ±5%, 25°C		500 mV/g
Acceleration range		15 g peak
Amplitude nonlinearity		1%
Frequency response:	±5%	3 - 5,000 Hz
	±3 dB	1 - 10,000 Hz
Resonance frequency, mounted, nominal		24 kHz
Transverse sensitivity, max		7% of axial
Temperature response:	-50°C	-10%
	+120°C	-5%
Power requirement:		
Voltage source		18 - 30 VDC
Current regulating diode		2 - 10 mA
Electrical noise, equiv. g, nominal:		
Broadband	2.5 Hz to 25 kHz	30 µg
Spectral	10 Hz	5.0 µg/√Hz
	100 Hz	0.4 µg/√Hz
	1,000 Hz	0.1 µg/√Hz
Output impedance, max		100 Ω
Bias output voltage, nominal		10 VDC
Grounding:	728A	case grounded
	728T	base isolated
Temperature range		-50° to +120°C
Vibration limit		250 g peak
Shock limit		2,500 g peak
Electromagnetic sensitivity at 60 Hz		20 µg/gauss
Base strain sensitivity		0.002 g/µstrain
Weight		44 grams
Case material		stainless steel
Mounting		10-32 tapped hole
Output connector		10-32 coaxial
Mating connector		R1
Recommended cabling		J93

Accessories supplied: SF1 mounting stud; calibration data (level 3)

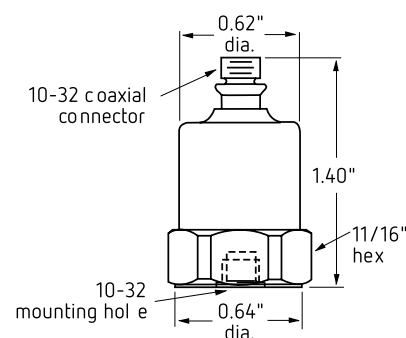


Key features

- Wide dynamic range
- Low noise floor
- Manufactured in ISO 9001 facility



Model 728A



Model 728T



Note: Due to continuous process improvement, specifications are subject to change without notice. This document is cleared for public release.