



**786-500-D2**  
Class I Div 2 certified low-frequency accelerometer

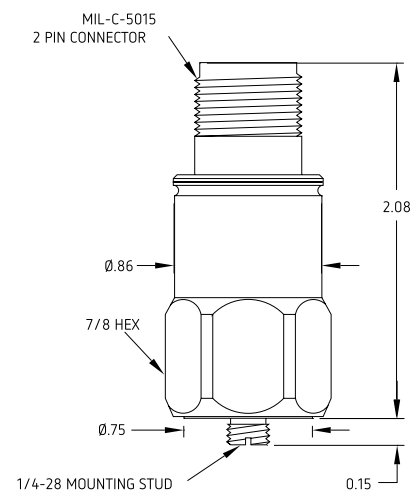


**SPECIFICATIONS**

<b>Sensitivity, ±5%, 25°C</b>		500 mV/g
<b>Acceleration range, VDC &gt; 22 V</b>		10 g peak
<b>Amplitude nonlinearity</b>		1%
<b>Frequency response<sup>1</sup>:</b>	<b>±5%</b>	0.7 - 5,000 Hz
	<b>±10%</b>	0.5 - 9,000 Hz
	<b>±3 dB</b>	0.2 - 10,000 Hz
<b>Resonance frequency</b>		30 kHz
<b>Transverse sensitivity, max</b>		5% of axial
<b>Temperature response:</b>	<b>-50°C</b>	-10%
	<b>+120°C</b>	+10%
<b>Power requirement:</b>		
<b>Voltage source</b>		18 - 30 VDC
<b>Current regulating diode</b>		2 - 10 mA
<b>Electrical noise, equiv. g:</b>		
<b>Broadband</b>	<b>2.5 Hz to 25 kHz</b>	250 µg
<b>Spectral</b>	<b>10 Hz</b>	2.5 µg/√Hz
	<b>100 Hz</b>	1.5 µg/√Hz
	<b>1,000 Hz</b>	1.5 µg/√Hz
<b>Output impedance, max</b>		100 Ω
<b>Bias output voltage</b>		12 VDC
<b>Grounding</b>		case isolated, internally shielded
<b>Temperature range</b>		-50° to +120°C
<b>Vibration limit</b>		500 g peak
<b>Shock limit</b>		5,000 g peak
<b>Electromagnetic sensitivity, equiv. g, max</b>		70 µg/gauss
<b>Sealing</b>		hermetic
<b>Base strain sensitivity, max</b>		0.0002 g/µstrain
<b>Sensing element design</b>		PZT, shear
<b>Weight</b>		90 grams
<b>Case material</b>		316L stainless steel
<b>Mounting</b>		1/4-28 UNF tapped hole
<b>Output connector</b>		2 pin, MIL-C-5015 style
<b>Recommended cabling</b>		J10 / J9T2A

**Key features**

- Class I, Div 2/Zone 2 certified - non-incendive
- High sensitivity
- Extended low frequency response
- Manufactured in ISO 9001 facility



**Notes:** <sup>1</sup> Frequency response limits, spectral and noise values are typical.  
**Accessories supplied:** SF6 mounting stud; calibration data (level 2)

**Certifications**

 Class I, Div 2 Groups A, B, C, D Class I, Zone 2 AEx/Ex nA II T4 Ta = -50°C to 120°C	 II 3 G Ex nA IIC T4 Gc	

Connections	
Function	Connector pin
power/signal	A
common	B
ground	shell

Note: Due to continuous process improvement, specifications are subject to change without notice. This document is cleared for public release.

The information provided herein is to the best of our knowledge true and accurate, it is provided for guidance only. All specifications are subject to change without prior notification.

Althen – Your expert partner in Sensors & Controls | [althensensors.com](http://althensensors.com)

Althen stands for pioneering measurement and custom sensor solutions. In addition we offer services such as calibration, design & engineering, training and renting of measurement equipment.

Germany/Austria/Switzerland  
[info@althen.de](mailto:info@althen.de)

Benelux  
[sales@althen.nl](mailto:sales@althen.nl)

France  
[info@althensensors.fr](mailto:info@althensensors.fr)

Sweden  
[info@althensensors.se](mailto:info@althensensors.se)

USA/Canada  
[info@althensensors.com](mailto:info@althensensors.com)

Other countries  
[info@althensensors.com](mailto:info@althensensors.com)