



m/s² 786V
Piezoelectric velocity transducer



Key features

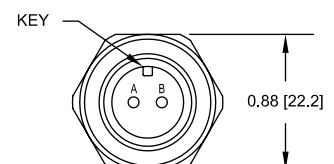
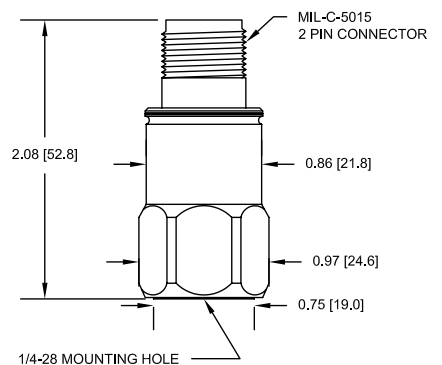
- Internally integrated to velocity
- High frequency range
- Manufactured in ISO 9001 facility

SPECIFICATIONS

Sensitivity, ± 5%, 25°C	100 mV/in/sec
Velocity range	50 in/sec peak
Amplitude nonlinearity	±1% of F.S.
Frequency response:	± 10% 2 - 6,000 Hz
	± 3 dB 1 - 12,000 Hz
Resonance frequency, nominal	30 kHz
Transverse sensitivity, max	5% of axial
Power requirement:	
Voltage source	18 - 30 VDC
Current regulating diode	2 - 10 mA
Electrical noise, equiv. in/sec, nominal:	
Broadband 2.5 Hz to 25 kHz	2,050 µin/sec rms
Spectral 10 Hz	250 µin/sec/√Hz
	100 Hz 12 µin/sec/√Hz
	1,000 Hz 5 µin/sec/√Hz
Output impedance, max	200 Ω
Bias output voltage, nominal	12 VDC
Grounding	case isolated, internally shielded
Temperature range	-50° to +120°C
Vibration limit	500 g peak
Shock limit	5,000 g peak
Electromagnetic sensitivity, equiv. in/sec	25 µin/sec/gauss
Sealing	hermetic
Relative humidity	100%
Protection rating	IP67
Base strain sensitivity	0.0005 in/sec/µstrain
Sensing element design	PZT, shear
Weight	90 grams
Case material	316L stainless steel
Mounting	1/4-28 UNF tapped hole
Output connector	2 pin, MIL-C-5015 style
Mating connector	R6 type
Recommended cabling	J9T2A

Accessories supplied: SF6 mounting stud; calibration data (level 2)

Connections	
Function	Connector pin
power / signal	A
common	B
ground	shell



Note: Due to continuous process improvement, specifications are subject to change without notice. This document is cleared for public release.