



m/s² 793-10
Industrial accelerometer

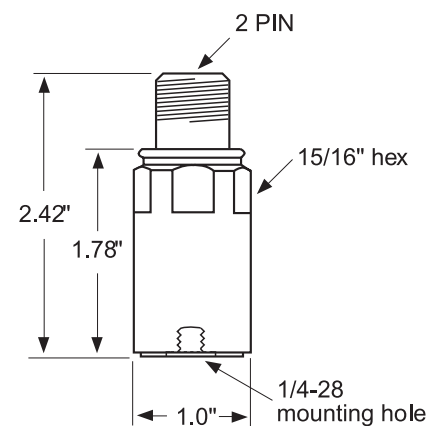
SPECIFICATIONS

Sensitivity, ±5%, 25°C		10 mV/g
Acceleration range		500 g peak
Amplitude nonlinearity		1%
Frequency response:	±5%	3 - 5,000 Hz
	±10%	2 - 7,000 Hz
	±3 dB	1 - 15,000 Hz
Resonance frequency, mounted, nominal		25 kHz
Transverse sensitivity, max		5% of axial
Temperature response:	-50°C	-10%
	+120°C	+5%
Power requirement:		
Voltage source		18 - 30 VDC
Current regulating diode		2 - 10 mA
Electrical noise, equiv. g, nominal:		
Broadband	2.5 Hz to 25 kHz	4,500 µg
Spectral	10 Hz	50 µg/√Hz
	100 Hz	40 µg/√Hz
	1,000 Hz	20 µg/√Hz
Output impedance, max		100 Ω
Bias output voltage, nominal		12 VDC
Grounding		case isolated, internally shielded
Temperature range		-50° to +120°C
Vibration limit		500 g peak
Shock limit		5,000 g peak
Electromagnetic sensitivity, equiv. g		15 µg/gauss
Humidity limit		100% relative
Base strain sensitivity		0.001 g/µstrain
Weight		110 grams
Case material		stainless steel
Mounting		1/4-28 tapped hole
Output connector		2 pin, MIL-C-5015 style
Mating connector		R6
Recommended cabling		J10 / J9T2A



Key features

- High amplitude range
- Optional intrinsic safety certification (model 793-10-35)
- Manufactured in ISO 9001 facility



Accessories supplied: SF6 mounting stud; calibration data; CCD card



Connections	
Function	Connector pin
power/signal	A
common	B

Note: Due to continuous process improvement, specifications are subject to change without notice. This document is cleared for public release.

The information provided herein is to the best of our knowledge true and accurate, it is provided for guidance only. All specifications are subject to change without prior notification.

Althen – Your expert partner in Sensors & Controls | althensensors.com

Althen stands for pioneering measurement and custom sensor solutions. In addition we offer services such as calibration, design & engineering, training and renting of measurement equipment.

Germany/Austria/Switzerland
info@althen.de

Benelux
sales@althen.nl

France
info@althensensors.fr

Sweden
info@althensensors.se

USA/Canada
info@althensensors.com

Other countries
info@althensensors.com