



m/s² 793-6
High temperature accelerometer

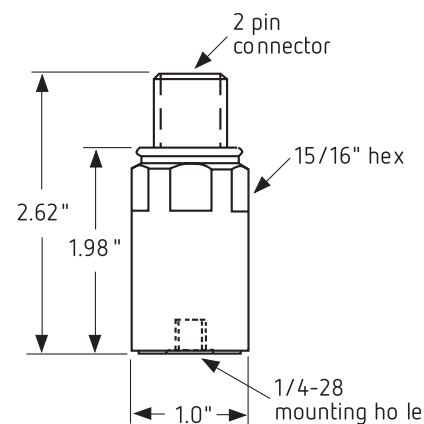
SPECIFICATIONS

Sensitivity, ±10%, 25°C		100 mV/g	
Acceleration range		50 g peak	
Amplitude nonlinearity		1%	
Frequency response:	±5%	4 - 5,000 Hz	
	±10%	3 - 7,000 Hz	
	±3 dB	1 - 12,000 Hz	
Resonance frequency		25 kHz	
Transverse sensitivity, max		5% of axial	
Temperature response:	-50°C	-5%	
	0°C	+2%	
	+120°C	-5%	
Power requirement:			
Voltage source		18 - 30 VDC	
Current regulating diode		2 - 4 mA	
Electrical noise, equiv. g:			
Broadband		2.5 Hz to 25 kHz	0.03 mg
Spectral	10 Hz		at 25°C: 10 µg/√Hz
	100 Hz		3 µg/√Hz
	1,000 Hz		2 µg/√Hz
			at 150°C: 30 µg/√Hz
			10 µg/√Hz
			6 µg/√Hz
Output impedance, max		100 Ω	
Bias output voltage:	25°C	12 VDC	
	150°C	11 VDC	
Grounding		case isolated, internally shielded	
Temperature range (mounting surface)		-50° to +150°C	
Vibration limit		500 g peak	
Shock limit		2,500 g peak	
Electromagnetic sensitivity, equiv. g		15 µg/gauss	
Sealing		hermetic	
Base strain sensitivity		0.0005 g/µstrain	
Sensing element design		PZT, compression	
Weight		135 grams	
Case material		316L stainless steel	
Mounting		1/4-28 tapped hole	
Output connector		2 pin, MIL-C-5015 style	
Mating connector		R6 type	
Recommended cabling		J9T2A	
Accessories supplied: SF6 mounting stud; calibration data (level 3)			



Key features

- 150°C operation
- Manufactured in ISO 9001 facility



Connections	
Function	Connector pin / cable conductor
power/signal	A / white
common	B / black
ground	shell / shield



Note: Due to continuous process improvement, specifications are subject to change without notice. This document is cleared for public release.

The information provided herein is to the best of our knowledge true and accurate, it is provided for guidance only. All specifications are subject to change without prior notification.

Althen – Your expert partner in Sensors & Controls | althensensors.com

Althen stands for pioneering measurement and custom sensor solutions. In addition we offer services such as calibration, design & engineering, training and renting of measurement equipment.

Germany/Austria/Switzerland
info@althen.de

Benelux
sales@althen.nl

France
info@althensensors.fr

Sweden
info@althensensors.se

USA/Canada
info@althensensors.com

Other countries
info@althensensors.com