



g

793L

Low-frequency accelerometer

500 mV/g, $\pm 5\%$ sensitivity tolerance, top exit accelerometer with extended low frequency response.

SPECIFICATIONS

Sensitivity, $\pm 5\%$, 25°C		500 mV/g
Acceleration range		10 g peak
Amplitude nonlinearity		1%
Frequency response:	$\pm 5\%$	0.6 - 700 Hz
	$\pm 10\%$	0.4 - 1,000 Hz
	± 3 dB	0.2 - 2,300 Hz
Resonance frequency		15 kHz
Transverse sensitivity, max		5% of axial
Sensitivity variation with temperature:		
	-50°C	-10%
	+120°C	+10%
Power requirement:		
Voltage source		18 - 30 VDC
Current regulating diode		2 - 10 mA
Electrical noise, equiv. g:		
Broadband	2.5 Hz to 25 kHz	8.0 μ g
Spectral	2 Hz	2.0 μ g/ $\sqrt{\text{Hz}}$
	10 Hz	0.4 μ g/ $\sqrt{\text{Hz}}$
	100 Hz	0.2 μ g/ $\sqrt{\text{Hz}}$
Output impedance, max		100 Ω
Bias output voltage		10 VDC
Grounding		case isolated, internally shielded
Temperature range		-50° to +120°C
Vibration limit		250 g peak
Shock limit		5,000 g peak
Electromagnetic sensitivity, equiv. g		20 μ g/gauss
Sealing		hermetic
Base strain sensitivity, max		0.0001 g/ μ strain
Sensing element design		PZT, compression
Weight		142 grams
Case material		316L stainless steel
Mounting		1/4-28 tapped hole
Output connector		2 pin, MIL-C-5015
Mating connector		R6 type
Recommended cabling		J9T2A

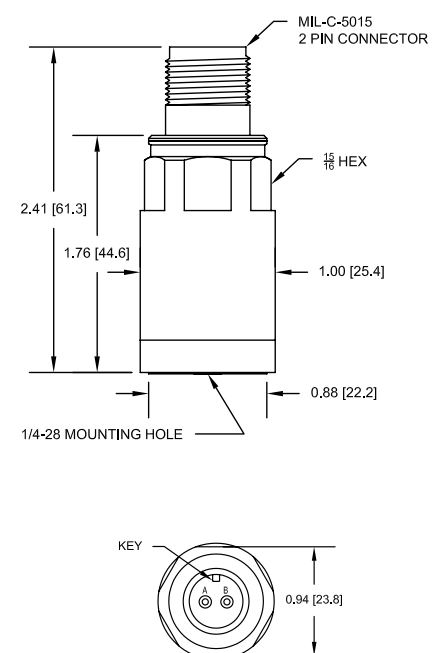
Accessories supplied: SF6 mounting stud; calibration data (level 2)

All 793L models	793LE	793L-33
	Class I, II, III, T4 Div 1 Groups A, B, C, D, E, F, G Div 2 Groups A, B, C, D, F, G	Class I, Div 1 Groups A, B, C, D



Key features

- Certified versions available for use in hazardous areas (models 793LE and 793L-33)
- Manufactured in ISO 9001 facility



Connections	
Function	Connector pin
power/signal	A
common	B
ground	shell

Note: Due to continuous process improvement, specifications are subject to change without notice. This document is cleared for public release.

Page 1 / 1

The information provided herein is to the best of our knowledge true and accurate, it is provided for guidance only. All specifications are subject to change without prior notification.

Althen – Your expert partner in Sensors & Controls | althensensors.com

Althen stands for pioneering measurement and custom sensor solutions. In addition we offer services such as calibration, design & engineering, training and renting of measurement equipment.

Germany/Austria/Switzerland
info@althen.de

Benelux
sales@althen.nl

France
info@althensensors.fr

Sweden
info@althensensors.se

USA/Canada
info@althensensors.com

Other countries
info@althensensors.com