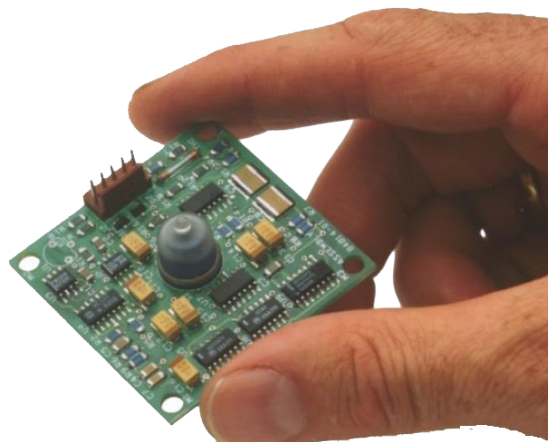




## 900 Biaxial Clinometer

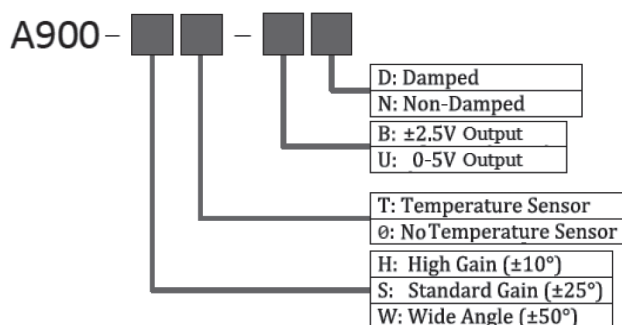
The model 900 Biaxial Clinometer is an inexpensive, gravity-referenced clinometer (tiltmeter) with a wide dynamic range. Its small size and high precision make it a versatile choice for many measurement and control applications. Units are available with +/-2.5V or 0-5V DC output. Custom calibration ranges are also available on request. Units ship standard with 18" hook-up cable. Use the model 900 for industrial pitch and roll measurements, platform position and control, OEM assemblies, specialized research applications, and more.



	High-Gain	Standard	Wide-Angle
Angular Range	$\pm 10^\circ$	$\pm 25^\circ$	$\pm 50^\circ$
Resolution <sup>1</sup>	0.005°	0.01°	0.02°
Repeatability	0.02°	0.02°	0.02°
Scale Factor <sup>2</sup>	4°/V	10°/V	25°/V
Non-Linearity <sup>3</sup>	1%	2.5%	7%
Output	$\pm 2.5$ VDC or 0-5 VDC		
Channels	X-tilt, Y-tilt, Temperature		
Kz Coefficient (deg/C)	10-20 arcsec/C (typical)		
Ks Coefficient (%/C)	0.03%/C (typical)		
Time Constant	0.15 sec		
Natural Frequency	10 Hz		
Output Impedance	270 ohms, short circuit protected		
Power	+8 to +24 VDC (bipolar output); +10.5 to +26.5 VDC (0-5V output); 7mA, 250 mV ripple max, reverse polarity protected		
Environmental	-40 to +85 C operating and storage. 0-90% humidity		
Dimensions	2 x 2 x 0.64 inches (51 x 51 x 17 mm), 0.5 oz. (15g)		
Materials	Glass electrolytic sensor, fiberglass PCB		

\*Specifications subject to change without notice on account of continued development; <sup>1</sup>Resolution calculated at 1mV; <sup>2</sup>Linear scale factor calculated from BFSL through calibration curve; <sup>3</sup>Linearity calculated as max % deviation from BFSL. 0.05% linearity achievable using a polynomial

### ORDERING CODE

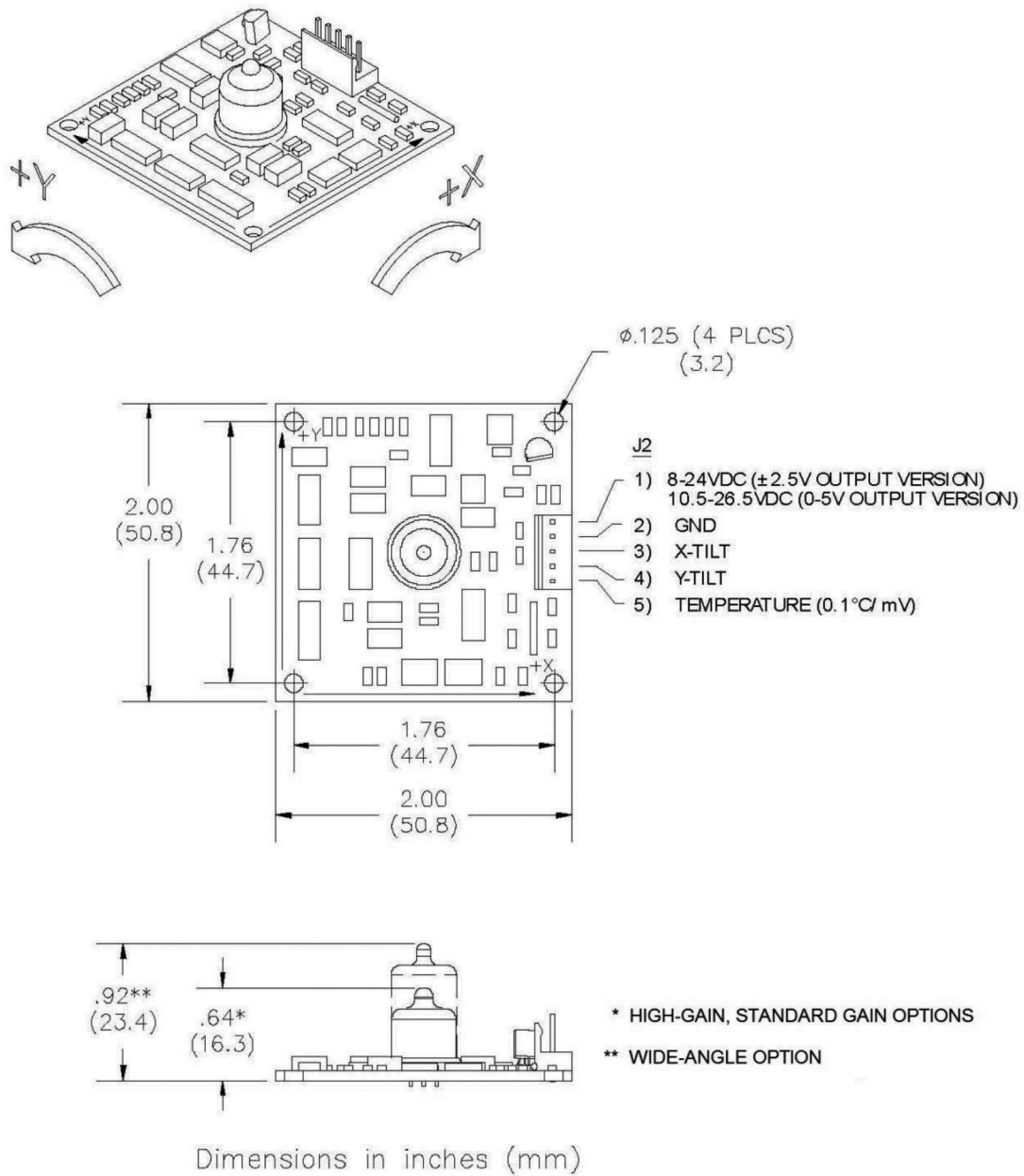


### PIN-OUT/WIRING:

Pin	Color	Function
1	Red	V+
2	Black	GND
3	Green	X-Out
4	Blue	Y-Out
5	Yellow	Temp Out



■ OUTLINE DIAGRAM:



<sup>1</sup>Resolution calculated a 1mV<sup>2</sup>Linear scale factor calculated from BFSL<sup>3</sup>Linearity calculated as max % deviation from BFSL. 0.05% linearity achievable using a polynomial

The information provided herein is to the best of our knowledge true and accurate, it is provided for guidance only. All specifications are subject to change without prior notification.

Althen – Your expert partner in Sensors & Controls | [althensensors.com](http://althensensors.com)

Althen stands for pioneering measurement and custom sensor solutions. In addition we offer services such as calibration, design & engineering, training and renting of measurement equipment.

Germany/Austria/Switzerland  
[info@althen.de](mailto:info@althen.de)

Benelux  
[sales@althen.nl](mailto:sales@althen.nl)

France  
[info@althensensors.fr](mailto:info@althensensors.fr)

Sweden  
[info@althensensors.se](mailto:info@althensensors.se)

USA/Canada  
[info@althensensors.com](mailto:info@althensensors.com)

Other countries  
[info@althensensors.com](mailto:info@althensensors.com)