



m/s² 997 Series
High-frequency, integral cable accelerometers

SPECIFICATIONS

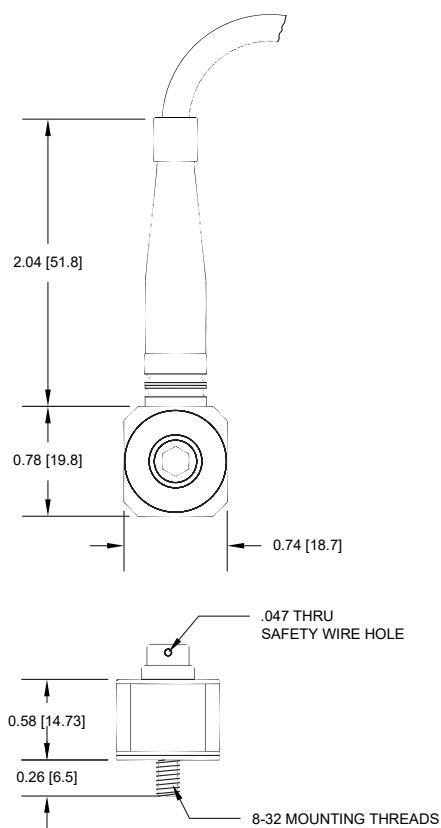
Sensitivity, ±10%, 25°C		10 mV/g
Acceleration range		600 g peak
Amplitude nonlinearity		1%
Frequency response:	± 5%	1.5 - 20,000 Hz
	±10%	1.0 - 25,000 Hz
	±3 dB	0.5 - 29,000 Hz
Resonance frequency, mounted		>45 kHz
Transverse sensitivity, max		3% of axial
Temperature response:	-55°C	+1%
	-25°C	-1%
	+120°C	+8%
Power requirement:		
Voltage source		18 - 30 VDC
Current regulating diode		2 - 10 mA
Electrical noise, equiv. g, nominal:		
Broadband	2.5 Hz to 25 kHz	1,000 µg
Spectral	10 Hz	25 µg/√Hz
	100 Hz	9 µg/√Hz
	1,000 Hz	7 µg/√Hz
Output impedance, max		100 Ω
Bias output voltage, nominal		12 VDC
Grounding		case isolated, internally shielded
Turn-on time		<1 sec
Temperature range		-50° to +120°C
Vibration limit		1,000 g
Shock limit		5,000 g peak
Sealing		hermetic
Base strain sensitivity, max		0.0005 g/µstrain
Weight		35 grams
Case material		316L stainless steel
Mounting:	997	8-32 captive screw
	997-M4	M4 captive screw
Integral cabling		J10, 16 ft., Enviroprene, two-conductor shielded

Accessories supplied: Captive screw (type depends on model); calibration data (level 2)
Options: Cable length



Key features

- Available models: 997 (8-32 captive screw) and 997-M4 (M4 captive screw)
- High amplitude range
- Manufactured in ISO 9001 facility



Connections	
Function	Cable conductor color
power/signal	white
common	black
case	shield



Note: Due to continuous process improvement, specifications are subject to change without notice. This document is cleared for public release.

The information provided herein is to the best of our knowledge true and accurate, it is provided for guidance only. All specifications are subject to change without prior notification.

Althen – Your expert partner in Sensors & Controls | althensensors.com

Althen stands for pioneering measurement and custom sensor solutions. In addition we offer services such as calibration, design & engineering, training and renting of measurement equipment.

Germany/Austria/Switzerland
info@althen.de

Benelux
sales@althen.nl

France
info@althensensors.fr

Sweden
info@althensensors.se

USA/Canada
info@althensensors.com

Other countries
info@althensensors.com