



C23 Series

FEATURES

- Single axis or multi-axis operation, spring return
- Robust joystick, applicable for severe environment
- Non-contacting hall effect technology, high reliability, long lifetime
- IP65

APPLICATIONS

- Aerial work machinery
- Hoisting machinery
- Electrohydraulic control system
- Industrial automation

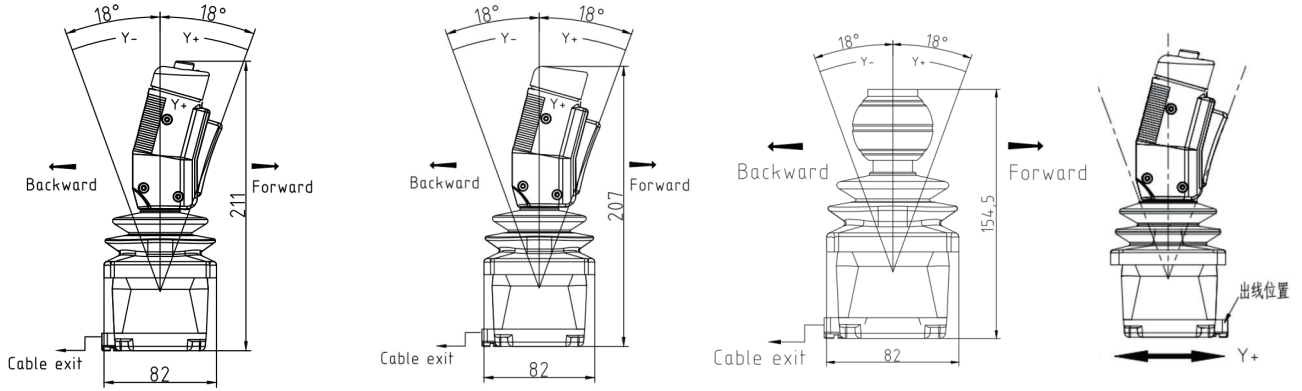


SPECIFICATIONS

Mechanical data	
Travel angle	±18°
Operating force ¹	8~16N
Mechanical life	>5 million cycles
Product weight	Appr. 550g
Electrical data	
Supply voltage(Vs)	5.0 ± 0.5Vdc or 9~32Vdc
Power current consumption	<12mA (per channel)
Center voltage	2.5V±2%Vs
Output linearity voltage tolerance	± 2.5%
Maximum overload voltage	20Vdc
Maximum Reverse voltage	-12Vdc
Load resistance	10KΩ
Environmental data	
Operating temperature	-40°C~+85°C
Storage temperature	-40°C~+85°C
Protection class	IP ratings may vary from model to model, for more information, please consult our sales staff
EMC	EN IEC 6100-6-4-2019, 30MHz-1GHz EN IEC 6100-6-2-2019, 80MHz-6GHz

¹ The measuring point is 75mm from the pivot center

OUTLINE DIMENSIONS (UNIT:mm)



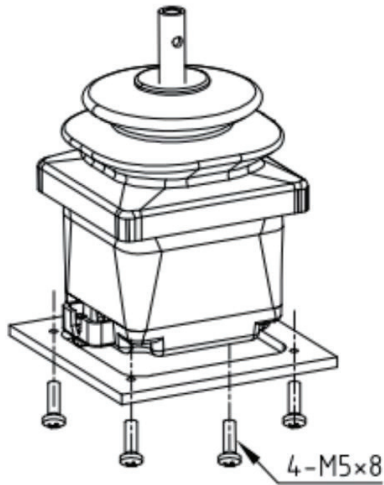
K5DR
K5 handle, with deadman switch
and top rocker switch

K5DN
K5 handle, with deadman switch

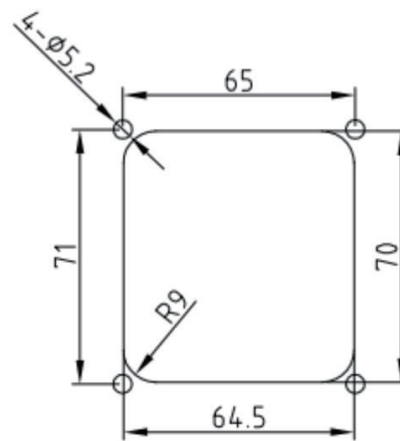
B4
Ball grip

Direction diagram

MECHANICAL INSTALLATIONS



Mounting diagram



Panel cut-out dimensions

ORDER GUIDE

For instance:

Customer Requirements: C23 series Multi-axis joystick, Single axis operation, aligned Y axis direction, spring return; Supply voltage 5Vdc, 20%~50%~ 80%Vs ratiometer output; K5 handle, with deadman switch and top rocker switch Connector wiring(connector model is A2547HA-14P)

Product Selection: C23-1AY-H13-K5DR-C1

C23		Multi axis joystick			
Code	Operating mode				
1AX	Single axis operation, aligned X axis direction, spring return				
1AY	Single axis operation, aligned Y axis direction, spring return				
2AP	Dual-axis crossing operation, spring return				
2AS	Dual-axis operation in arbitrary direction, spring return				
Code	Output signal				
H11	Supply voltage 5Vdc, 10%~50%~90%Vs output				
H13	Supply voltage 5Vdc, 20%~50%~80%Vs output				
H14	Supply voltage 5Vdc, 25%~50%~75%Vs output				
H21	Supply voltage 5Vdc, 10%~50%~90%Vs and 90%~50%~10%Vs redundant output				
H23	Supply voltage 5Vdc, 20%~50%~80%Vs and 80%~50%~20%Vs redundant output				
H24	Supply voltage 5Vdc, 25%~50%~75%Vs and 75%~50%~25%Vs redundant output				
W11	Supply voltage 9~32Vdc, 0.5~2.5~4.5V ratiometric output				
W13	Supply voltage 9~32Vdc, 1~2.5~4V ratiometric output				
W14	Supply voltage 9~32Vdc, 1.25~2.5~3.75V ratiometric output				
W21	Supply voltage 9~32Vdc, 0.5~2.5~4.5V and 4.5~2.5~0.5V redundant ratiometric output				
W23	Supply voltage 9~32Vdc, 1~2.5~4V and 4~2.5~1V redundant ratiometric output				
W24	Supply voltage 9~32Vdc, 1.25~2.5~3.75V and 3.75~2.5~1.25V redundant ratiometric output				
Code	Handle options				
B4	Spherical grip				
K5DR	K5 handle, with deadman switch and top rocker switch				
K5NR	K5 handle, without deadman switch, with top rocker switch				
K5DN	K5 handle, with deadman switch, without top rocker switch				
K5NN	K5 handle, without deadman switch and top rocker switch				
Code	Wiring				
L	Cable wiring				
C1	Connector wiring(connector model is A2547HA-14P)				
C2	Connector wiring(TE:1-104257-3)				
C23	1AY	H13	K5DR	C1	Complete Type Specification

The information provided herein is to the best of our knowledge true and accurate, it is provided for guidance only. All specifications are subject to change without prior notification.

Althen is the innovative joystick expert that creates integrated joystick and measurement solutions for the creators of tomorrow | althencontrols.com

In addition we offer services such as calibration, repairs, design & engineering, training and renting of measurement equipment.