



**kg** **FLC 3A**  
Hygienic Compression Load Cell

**LAUMAS**<sup>®</sup>



Nennlast von 1000 kg bis 20000 kg



**EIGENSCHAFTEN**

- 17-4 PH Stainless Steel
- Combined error  $\leq \pm 0.1\%$
- Protection class Ip69k
- Cable suitable for contact with food
- Adjustable height
- Hygienic device RPSCQC authorized by 3-A SSI.

| CAPACITY | kg | THREAD | NET WEIGHT (kg) | CODE           |
|----------|----|--------|-----------------|----------------|
| 1000     |    | M12    | -               | FLC1000M12A3A  |
| 2000     |    | M12    | -               | FLC2000M12A3A  |
| 5000     |    | M16    | -               | FLC5000M16A3A  |
| 5000     |    | M20    | -               | FLC5000M20A3A  |
| 10000    |    | M24    | -               | FLC10000M24A3A |
| 10000    |    | M30    | -               | FLC10000M30A3A |
| 20000    |    | M36    | -               | FLC20000M36A3A |

Foot not included.

**CERTIFICATIONS**

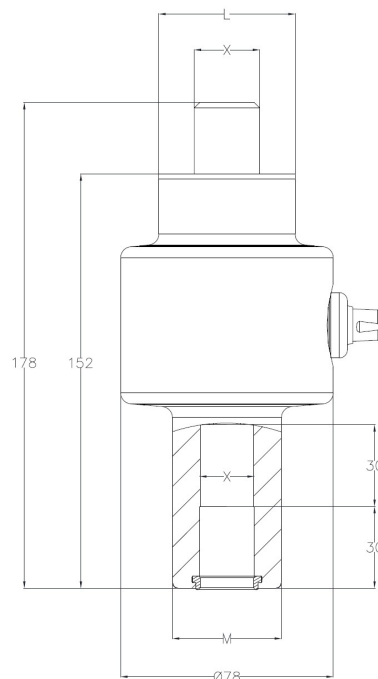
**UKCA** Equivalent of the CE marking for the United Kingdom

**A3** American standard that regulates the design, production and use of hygienic equipment



## DIMENSIONS (mm)

| MODELLO        | X        | L  | M  |
|----------------|----------|----|----|
| FLC1000M12A3A  | M12x1.75 | 24 | 40 |
| FLC2000M12A3A  | M12x1.75 | 24 | 40 |
| FLC5000M16A3A  | M16x2    | 30 | 40 |
| FLC5000M20A3A  | M20x2.5  | 35 | 40 |
| FLC10000M24A3A | M24x3    | 50 | 40 |
| FLC10000M30A3A | M30x3.5  | 50 | 50 |
| FLC20000M36A3A | M36x4    | 50 | 50 |



## TECHNICAL FEATURES

|                                     |                                       |                                     |           |
|-------------------------------------|---------------------------------------|-------------------------------------|-----------|
| Material                            | 17-4 PH stainless steel               |                                     |           |
| Nominal load                        | 1000 - 2000 - 5000 - 10000 - 20000 kg |                                     |           |
| Combined error                      | ≤ ±0.1%                               |                                     |           |
| Protection class                    | IP69K                                 |                                     |           |
| Rated output                        | 2.0 mV/V ± 0.1%                       | Input resistance                    | 350 Ω ±20 |
| Temperature effect on zero          | 0.005% °C                             | Output resistance                   | 350 Ω ±5  |
| Temperature effect on span          | 0.005% °C                             | Zero balance                        | ± 1%      |
| Compensated temperature range       | -10 °C / + 50 °C                      | Insulation resistance               | > 5000 MΩ |
| Operating temperature range         | -20 °C / + 70°C                       | Safe overload (% of full scale)     | 150%      |
| Creep at nominal load in 30 minutes | 0.05%                                 | Ultimate overload (% of full scale) | 300%      |
| Max supply voltage without damage   | 5 ÷ 15 VDC                            | Deflection at nominal load          | -         |

## ELECTRICAL CONNECTIONS

|                |  |
|----------------|--|
| Cable lenght   | 5 m: 1000 kg, 2000 kg, 5000 kg, 10000 kg (M24)<br>10 m: 10000 kg (M30), 20000 kg |
| Cable diameter | 5 mm   |
| Cores          | 6 x 0.20 mm <sup>2</sup>   |



The Company reserves the right to make changes to the technical data, drawings and images without notice.

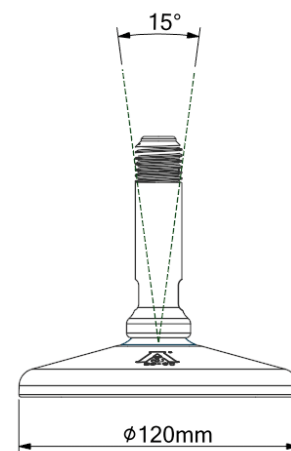


**COMPLEMENTARY ACCESSORIES**

|               | CODE           | FOR LOAD CELLS |
|---------------|----------------|----------------|
| Hygienic foot | FLC273793A     | FLC1000M12A3A  |
|               | FLC273793A     | FLC2000M12A3A  |
|               | FLC273803A     | FLC5000M16A3A  |
|               | FLC273843A     | FLC5000M20A3A  |
|               | FLCD120M24503A | FLC10000M24A3A |
|               | FLCD120M30503A | FLC10000M30A3A |
|               | FLCD120M36503A | FLC20000M36A3A |

On request: hygienic foot with dowel fastening

For other types of hygienic, non-hygienic feet or customizations contact <https://martinlevelling.it>



ANGULAR ADJUSTMENT

**LOAD CELL KIT+FOOT**

| CODE            | FOR LOAD CELLS | HYGIENIC FOOT  |
|-----------------|----------------|----------------|
| FLCLF1000M123A  | FLC1000M12A3A  | FLC273793A     |
| FLCLF2000M123A  | FLC2000M12A3A  | FLC273793A     |
| FLCLF5000M163A  | FLC5000M16A3A  | FLC273803A     |
| FLCLF5000M203A  | FLC5000M20A3A  | FLC273843A     |
| FLCLF10000M243A | FLC10000M24A3A | FLCD120M24503A |
| FLCLF10000M303A | FLC10000M30A3A | FLCD120M30503A |
| FLCLF20000M363A | FLC20000M36A3A | FLCD120M36503A |

