



## MTW10 Series

### FEATURES

- Compact design, thumb-operated
- Single axis operation, spring return
- Non-contacting hall effect technology, high reliability, long lifetime
- IP68S (electronic part)

### APPLICATIONS

- Industrial remote controller
- Control panel

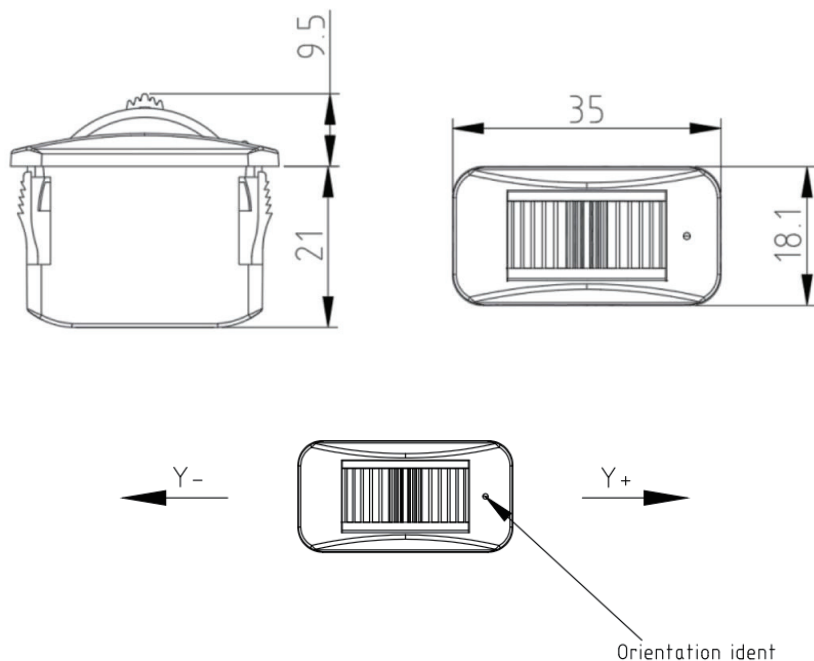


### SPECIFICATIONS

Mechanical data	
Travel angle	±30°
Operating force <sup>1</sup>	2~3N
Maximum Allowable Force	10N
Service life	>3 million cycles
Product weight	Appr.30g
Electrical data	
Supply voltage(Vs)	5.0±0.5Vdc or 9~32Vdc
Power current consumption	<11mA (per channel)
Center voltage	2.5V±4%Vs
Output linearity voltage tolerance	±3%
Maximum overload voltage	20Vdc
Maximum Reverse voltage	-10Vdc
Load resistance	>10KΩ
Insulation resistance	>1000MΩ
EMC	100V/m
Environmental data	
Operating temperature	-30°C~+70°C
Storage temperature	-40°C~+85°C
Protection class	IP ratings may vary from model to model, for more information, please consult our sales staff

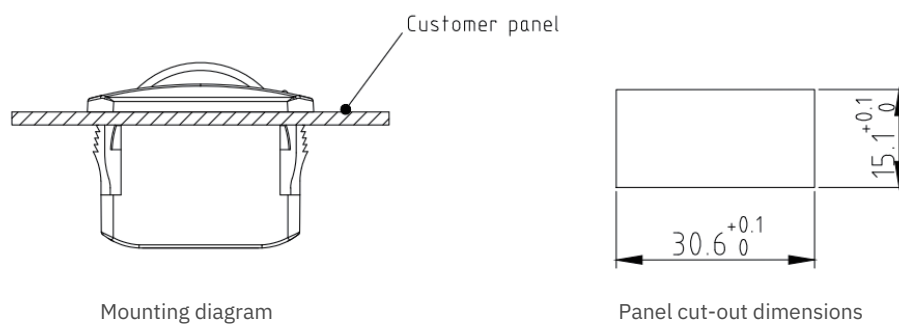
<sup>1</sup> The measuring point is 15mm from the pivot center

**OUTLINE DIMENSIONS (UNIT:mm)**



**MECHANICAL INSTALLATIONS**

Note: The thickness of the panel  $\leq 3\text{mm}$



**ELECTRICAL CONNECTIONS**

No.	Color	Hall Effect	Redundant hall effect
1	Red	5Vdc	9~32Vdc
2	White	-----	5Vdc
3	Black	0Vdc	0Vdc
4	Yellow	A-out	A-out
5	Green	-----	B-out

**ORDER GUIDE**

MTW10		Thumbwheel	
		Code	Output signal
		H11	Supply voltage 5Vdc, 10%~50%~90%Vs output
		H13	Supply voltage 5Vdc, 20%~50%~80%Vs output
		H14	Supply voltage 5Vdc, 25%~50%~75%Vs output
		H21	Supply voltage 5Vdc, 10%~50%~90%Vs and 90%~50%~10%Vs redundant output
		W11	Supply voltage 9~32Vdc, 0.5~2.5~4.5V ratiometric output
		W13	Supply voltage 9~32Vdc, 1~2.5~4V ratiometric output
		W14	Supply voltage 9~32Vdc, 1.25~2.5~3.75V ratiometric output
		W21	Supply voltage 9~32Vdc, 0.5~2.5~4.5V and 4.5~2.5~0.5V redundant ratiometric output
		W23	Supply voltage 9~32Vdc, 1~2.5~4V and 4~2.5~1V redundant ratiometric output
		W24	Supply voltage 9~32Vdc, 1.25~2.5~3.75V and 3.75~2.5~1.25V redundant ratiometric output
		Code	Back Panel Options
		L	Cable wiring (AF200, AWG28#, length 300mm)
<b>MTW10</b>	<b>H11</b>	<b>L</b>	<b>Complete Type Specification</b>

The information provided herein is to the best of our knowledge true and accurate, it is provided for guidance only. All specifications are subject to change without prior notification.

**Althen is the innovative joystick expert that creates integrated joystick and measurement solutions for the creators of tomorrow | [althencontrols.com](http://althencontrols.com)**

In addition we offer services such as calibration, repairs, design & engineering, training and renting of measurement equipment.

**Benelux**  
sales@althen.nl

**Germany/Austria/Switzerland**  
info@althen.de

**France**  
info@althensensors.fr

**Sweden**  
info@althensensors.se

**USA/Canada**  
info@althensensors.com

**Other countries**  
info@althensensors.com