



bar **PABT Series**

PABT series are miniature pressure sensors with an integrated PT1000 temperature sensing element allowing you to measure temperature and pressure simultaneously. Fully made in stainless steel, this sensor is compatible with a great number of corrosive and/or conductive fluids. The integrated electronic deliver the pressure measurement as an already amplified analog signal.



**SPECIFICATIONS**

INPUT																							
Pressure Range	<table border="1"> <thead> <tr> <th>BAR</th> <th>PSI</th> <th>1</th> <th>2</th> <th>3.5</th> <th>5</th> <th>10</th> <th>20</th> <th>35</th> <th>50</th> <th>100</th> </tr> </thead> <tbody> <tr> <td></td> <td></td> <td>15</td> <td>30</td> <td>50</td> <td>75</td> <td>150</td> <td>300</td> <td>500</td> <td>750</td> <td>1500</td> </tr> </tbody> </table>	BAR	PSI	1	2	3.5	5	10	20	35	50	100			15	30	50	75	150	300	500	750	1500
BAR	PSI	1	2	3.5	5	10	20	35	50	100													
		15	30	50	75	150	300	500	750	1500													
Pressure Type	Absolute																						
Over Pressure	3 Times Rated Pressure or 850 bar whichever is less																						
Burst Pressure	> 200 bars (2900 PSI)      > 850 bar (12325 PSI)																						
Pressure Media	Any Liquid or Gas Compatible With 15-5 PH or Stainless Steel																						
Electrical Input	< 10 mA																						
Supply voltage	12 – 36 VDC or 1.8 – 6 VDC <sup>1</sup>																						
OUTPUT																							
Full Scale Output (FS)	4 Vdc ± 50 mV (0.5 V to 4.5 V output signal)																						
Output Impedance	1 kΩ																						
Zero offset at 20 °C	0.5 V ± 50 mV																						
Bandwidth (-3dB)	4.5 kHz																						
Combined Non-Linearity & Hysteresis	± 0.25% FS (Max)																						
Repeatability	± 0.2% FS																						
Insulation	> 100 MΩ @ 50 Vdc																						
ENVIRONMENTAL																							
Operating Temperatures	-40°C to +85°C																						
Compensated Temperatures	0 °C to 60 °C <sup>1</sup>																						
Thermal Zero Shift	< ± 3% FS / 50 °C																						
Thermal Sensitivity Shift	< ± 2% FS / 50 °C																						
PHYSICAL																							
Electrical Connection	5 Conductors 26 AWG Teflon Insulated Shielded Cable 1m long <sup>1</sup>																						

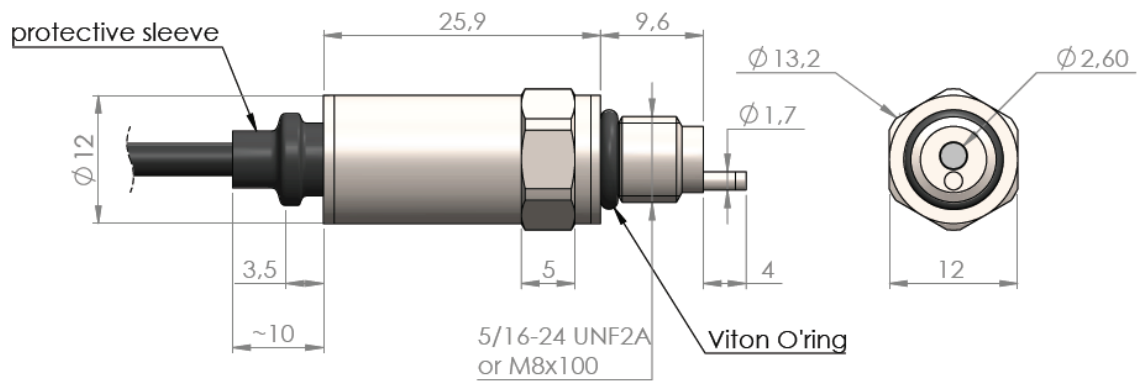
10/06/2026 | version 0001

**SPECIFICATIONS (CONTINUED)**

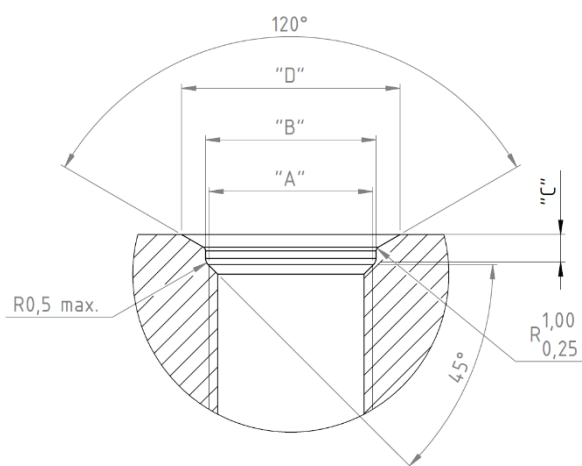
Mechanical Connection	5/16-24 UNF2A or M8x1.0 <sup>1</sup>
Index of Protection	IP65
Pressure Sensing Principle	Fully Active Four Arm Wheatstone Bridge Dielectrically Isolated Silicon on Silicon
Sealing	Viton O-ring (6.1 mm x 1.6 mm)
Mounting Torque	10 Nm Max

<sup>1</sup> See options in Order guide table

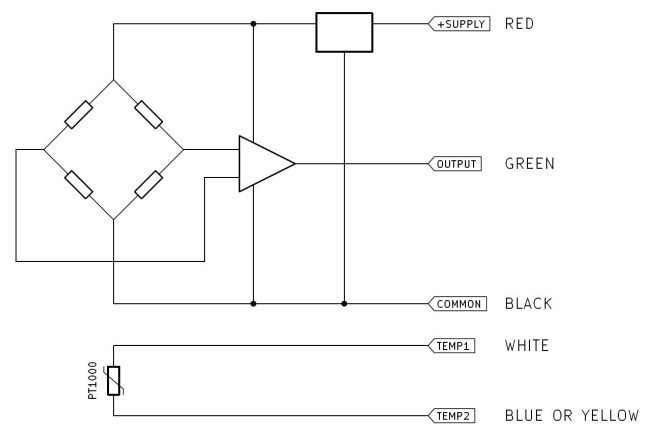
**DIMENSIONS**



**RECOMMENDED MOUNTING PORT**



**WIRING**



A	B	C	D
M8x1.0	8.4mm	1.6mm	11.2mm
5/16-24 UNF2A	0.328"	0.063"	0.438"

Tolerances on dimensions : ±0.05mm (0.002")

**ORDER GUIDE**

Example:

**PABT50B4VM/C1L5MLV**

Measuring range: 50 BAR

Thread: M8x1.0

Comp. temp.: -40°C to +60°C

Cable length: 5m

Power supply range: 1.8-6VDC

PABT		Miniature Pressure Sensor with Integrated RTD							
	<b>Code</b>	<b>Description</b>							
	X	Measuring range							
		<b>Code</b>	<b>Units</b>						
		B	BAR						
		P	PSI (<1000)						
		KP	KPSI (>1000)						
		<b>Code</b>	<b>Description</b>						
		4V	Full Scale Output (FS)						
		<b>Code</b>	<b>Thread</b>						
		None	5/16-24 UNF2A						
		M	M8x1.0						
		<b>Options</b>							
		<b>Code</b>	<b>Compensated temperature range</b>						
		None	0°C to +60°C						
		C1	-40°C to +60°C						
		<b>Code</b>	<b>Cable length</b>						
		None	1m standard length						
		LxxM	xx: custom length in meter						
		LxxF	xx: custom length in foot						
		<b>Code</b>	<b>Power supply</b>						
		None	12 - 36 VDC (standard)						
		LV	1.8 - 6 VDC						
<b>PABT</b>	<b>X</b>	<b>B</b>	<b>4V</b>	<b>M</b>	<b>C1</b>	<b>LxxM</b>	<b>LV</b>	<b>Complete Type Specification</b>	

The information provided herein is to the best of our knowledge true and accurate, it is provided for guidance only. All specifications are subject to change without prior notification.

**Althen is the innovative sensor expert that creates integrated sensor and measurement solutions for the creators of tomorrow | [althensensors.com](http://althensensors.com)**

We create integrated sensor and measurement solutions. In addition we offer services such as calibration, repairs, design & engineering, training and renting of measurement equipment.