



bar **P-M10 Series**

These miniature pressure sensors are designed to make static measurements of pressure as well as dynamic in industrial environments. Made in stainless steel in a fully welded design, these flush membrane sensors are compatible with a great number of corrosive and conductive fluids.

Available in low level or amplified output, the integrated electronic is able to deliver an analog tension or current loop signal.



SPECIFICATIONS

MODEL	Low-level output (mV)			5V amplified output				4-20mA current loop			
INPUT											
Pressure Range (FS)	BAR	1	2	5	10	20	35	50	100	200	350
	PSI	15	30	75	150	300	500	750	1500	3000	5000
Pressure Type	Absolute, Relative or Sealed										
Over Pressure	2 Times Rated Pressure										
Burst Pressure	5 Times Rated Pressure (3 Times Rated Pressure for the 350 BAR range)										
Pressure Media	Any Liquid or Gas Compatible With 15-5 PH or Stainless Steel										
Electrical Input	500 – 1500 Ω			< 30 mA				< 30 mA			
Supply voltage	10 VDC regulated			13 – 32 VDC				10 – 26 VDC			
OUTPUT											
Sensibility/Full Scale Output (FS)	10 mV/V (5 mV/V for 1 BAR range)			5 V ± 150 mV				20 mA ± 0.4 mA			
Output Impedance	500 – 800 Ω			1 kΩ				1 kΩ			
Zero Offset at 20°C	± 1 mV/V			0 to 100 mV				4 mA ± 0.4 mA			
Bandwidth (-3dB)	3 kHz										
Combined Non-Linearity & Hysteresis	± 0.50% FS (Max)										
Repeatability	± 0.2% FS										
Insulation	> 100 MΩ @ 50 Vdc										
ENVIRONMENTAL											
Operating Temperatures	-40 °C to 120 °C			-40 to 120°C				-20 to 80°C			
Compensated Temperatures	0 °C to 60 °C ¹										
Thermal Zero Shift	< ± 3% FS / 50 °C										
Thermal Sensitivity Shift	< ± 2% FS / 50 °C										
PHYSICAL											
Resonant frequency	kHz	30	30	35	50	69	79	109	154	218	288
Electrical Connection	CABLE OUPUT: 4 x 30 AWG Shielded Cable 2m long ¹ OPTION: Integrated COMTRONICS CMR-02-E-04-P connector (sold with mating connector mounted on a 2m extension cable with option on length)										
Mechanical Connection	M10x1.0										

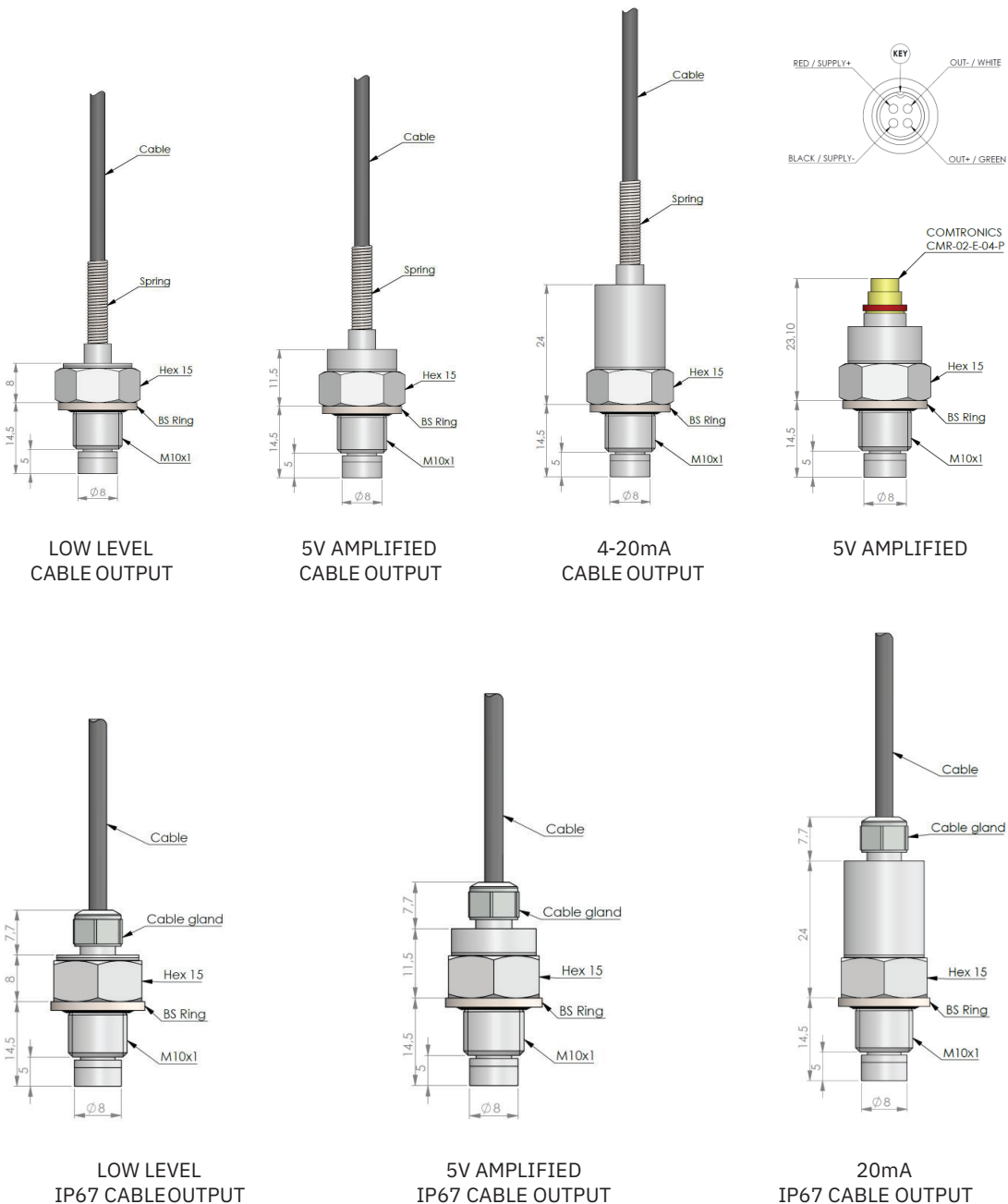
10/06/2026 | version 0001

SPECIFICATIONS (CONTINUED)

Material	Z8CND17.04 (RM > 90 HBAR)
Index of Protection	IP50 (standard) IP67 ¹
Pressure Sensing Principle	1 and 2 BAR range: Full Wheatstone Bridge Dielectrically Isolated Silicon on Silicon Other range: Half Wheatstone Bridge Dielectrically Isolated Silicon on Silicon
Sealing	BS Ring Ø15.88mm x 2mm (-40°C to 135°C)
Mounting Torque	10 Nm Max

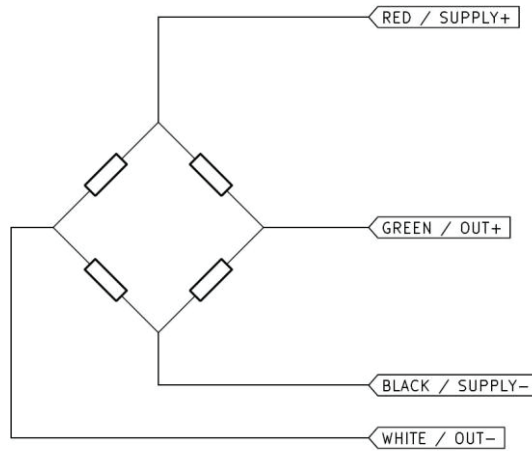
¹ See options in Order guide table

DIMENSIONS

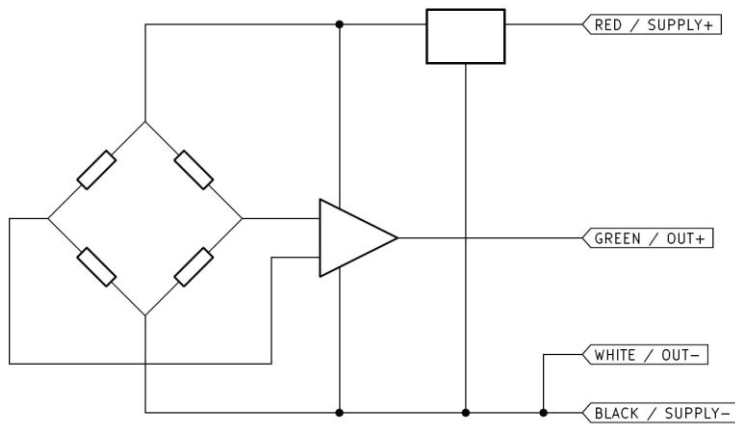


■ WIRING

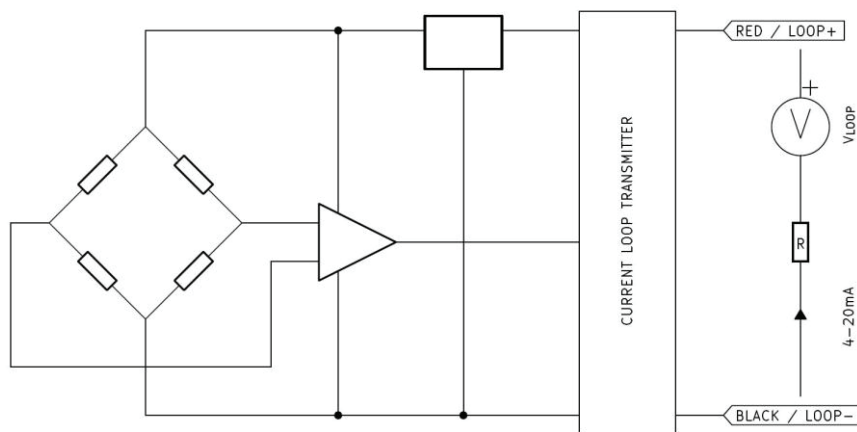
LOW LEVEL OUTPUT



5V AMPLIFIED OUTPUT



2 WIRE 4/20mA CURRENT LOOP



ORDER GUIDE

Example: **PAM10C10BmV/P67**

Measure type: Absolute
Pressure range: 10 BAR
Low-level signal
2m standard cable output
Index of protection: IP67

PSM10M350B5V/L6MC2

Measure type: Sealed
Pressure range: 350 BAR
Electrical connection: COMTRONIC CMR-02-E-04-P Connector + 6m extension cable with mating connector
Output type: 0-5V amplified signal output
Temperature compensation: -40°C to +200°C

P		M10 Miniature Pressure Sensor									
P	Code	Pressure Type									
	R	Relative									
	A	Absolute									
	S	Sealed									
	Code	Description									
	M10	Thread									
	Code	Electrical connection									
	C	Cable output model									
	M	COMTRONIC CMR-02-E-04-P <i>(sold with mating connector mounted on extension cable)</i>									
	Code	Description									
	xP	Measuring range in PSI									
	xB	Measuring range in BAR									
	Code	Output type									
	mV	Low-level									
	5V	0-5V amplified signal									
	mA	2 wire current loop									
	Options										
	Code	Cable length									
	None	2m (standard)									
	xM	x = length in meters									
	xF	x = length in feet									
	Code	Compensated temperature range									
	None	0°C to +60°C (standard)									
	C1	-40°C to +120°C									
	C2	-40°C to +200°C									
	Code	Index of protection									
	None	IP50 (standard)									
	P67	IP67									
P	R	M10	C	xP	mV	xM	C1	P67	Complete Type Specification		