



bar **PM5 Series**

These miniature pressure sensors are designed to make static measurements of pressure as well as dynamic in corrosive condition. Fully made of titanium, these levelling membrane sensors are compatible with a great number of corrosive or conductive fluids. Thanks to its integrated electronics, these sensors are able to deliver an amplified analog signal.



SPECIFICATIONS

All values are typical at 20°C ±1

| MODEL | Low level version – mV | | | | | Amplified version – 4V | | | | |
|--------------------------------|--|------|------|-------|-------|------------------------|-------|--------|--------|--------|
| INPUT | | | | | | | | | | |
| Pressure Range (FS) | | | | | | | | | | |
| | BAR | 0-2 | 0-5 | 0-10 | 0-20 | 0-35 | 0-50 | 0-100 | 0-200 | 0-350 |
| | PSI | 0-30 | 0-75 | 0-150 | 0-300 | 0-500 | 0-750 | 0-1500 | 0-3000 | 0-5000 |
| Pressure Type | Absolute, Relative, Sealed | | | | | | | | | |
| Over Pressure | 2 x Rated Pressure | | | | | | | | | |
| Burst Pressure | 5 x Rated Pressure | | | | | | | | | |
| Electrical Input / Consumption | 1500 Ω nominal | | | | | < 30 mA | | | | |
| Supply voltage | 10 VDC regulated | | | | | 10 – 32 VDC | | | | |
| OUTPUT | | | | | | | | | | |
| Full Scale Output (FS) | 30 mV (2 bar) / 100 mV (> 2 bar) | | | | | 4 V ± 200 mV | | | | |
| Output Impedance | 500 to 800 Ω | | | | | 1000 Ω | | | | |
| Zero Offset at 20°C | ± 10 mV | | | | | 0.5 V ± 200 mV | | | | |
| Linearity | ± 0.25% FS / ± 0.5% FS for 2 bar (30 psi) model | | | | | | | | | |
| Hysteresis | ± 0.25% FS / ± 0.5% FS for 2 bar (30 psi) model | | | | | | | | | |
| Repeatability | ± 0.2% FS | | | | | | | | | |
| Insulation | > 100 MΩ @ 50 VDC | | | | | | | | | |
| ENVIRONMENTAL | | | | | | | | | | |
| Operating Temperatures | -40 °C to 120 °C | | | | | | | | | |
| Compensated Temperatures | 0 °C to 60 °C ¹ | | | | | | | | | |
| Thermal Zero Shift | < ± 2.5% FS / 60 °C / < ± 5% for 2 bar (30 psi) model | | | | | | | | | |
| Thermal Sensitivity Shift | < ± 2.5% FS / 60 °C / < ± 5% for 2 bar (30 psi) model | | | | | | | | | |
| Resonance Frequency | 100-800 kHz depending on range | | | | | / | | | | |
| Bandwidth (-3dB) | / | | | | | 3 kHz | | | | |
| PHYSICAL | | | | | | | | | | |
| Electrical Connection | 4 x 28AWG Shielded Cable 2m long ¹ | | | | | | | | | |
| Connector output (P-M5M only) | COMTRONIC CMR-02-E-04P (sold with counter-part mounted on 2m long 4 x 28AWG shielded cable) | | | | | | | | | |
| Mechanical Connection | M5x0.8 | | | | | | | | | |
| Index of Protection | IP50 ¹ | | | | | | | | | |

10/06/2026 | version 0001

SPECIFICATIONS (CONTINUED)

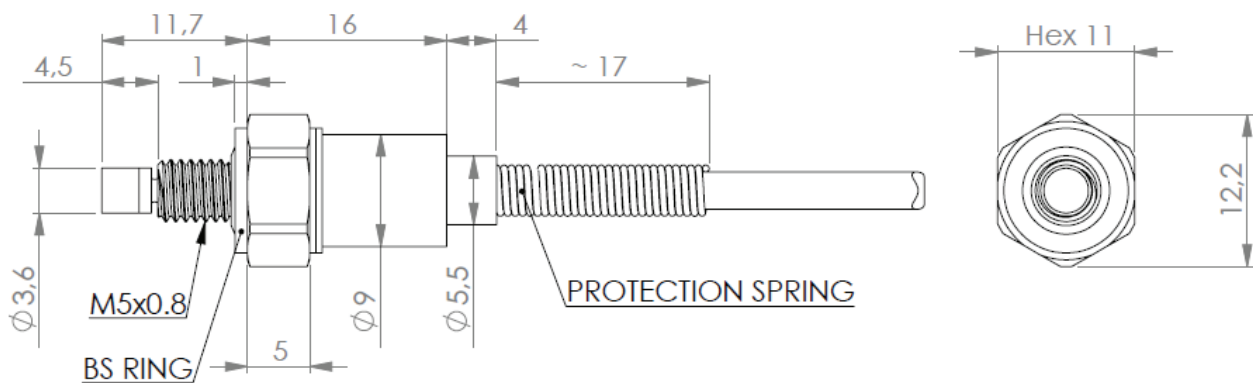
| | |
|------------------------|--|
| Sealing | BS Ring, OD: 10 mm, thickness: 1 mm |
| Material | Body: Titanium Connector output option: Brass |
| Mounting Torque | 5 Nm nominal 10 Nm max. |

¹ See options in Order guide table

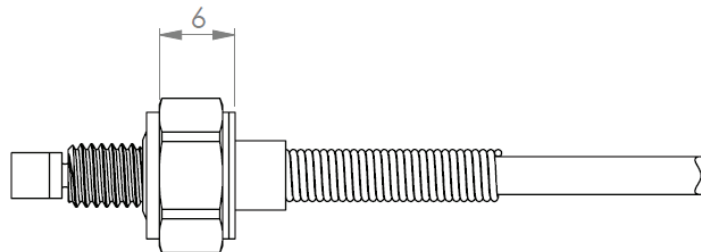
DIMENSIONS

Unless specified, all dimensions are in millimeters

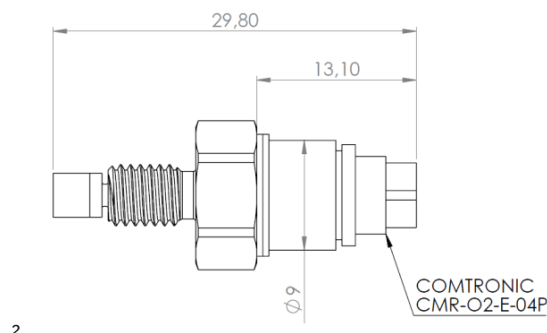
P-M5C ---- 4V (amplified version, cable output)



P-M5C mV (low level version, cable output)



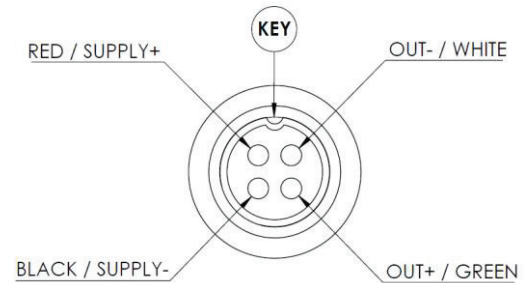
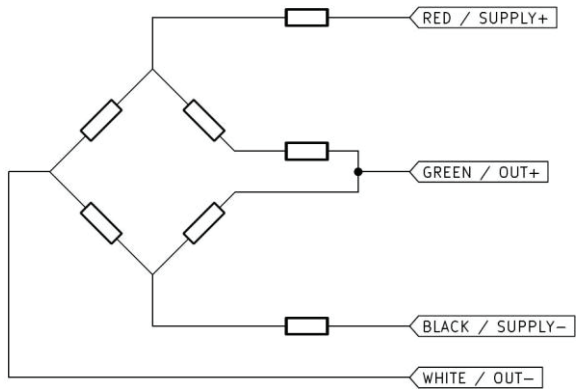
P-M5M ---- mV (low level version, connector output)



2

WIRING

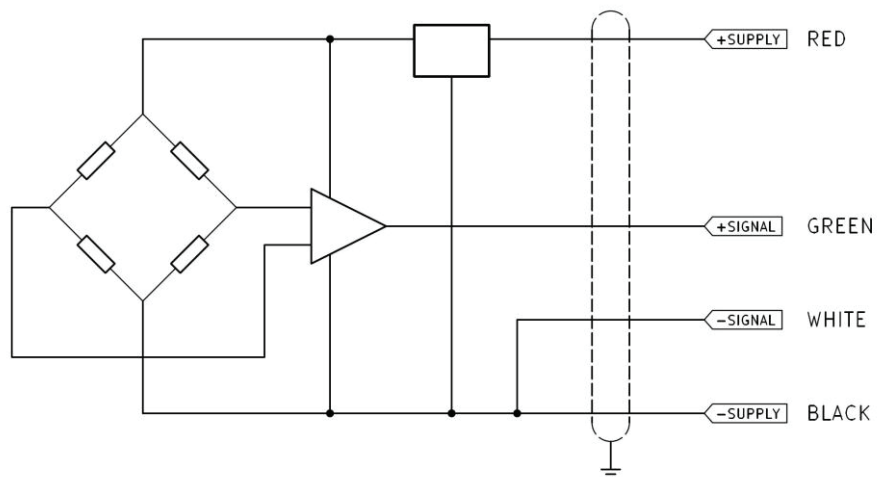
P-M5 ----- mV (low level version, cable or connector output)



VIEW FROM SENSOR'S SIDE

ONLY FOR P-M5M (connector version)
(colors are used on the extension cable provided)

P-M5C ----- 4V (amplified version, cable output)



ORDER GUIDE

Example: **PSM5C5KP4V / 5MC1P67**

Sealed 4V FS amplified output
 Metric M5 Thread 5 meters cable length
 Cable output **Compensated temperature: -40°C to 60°C**
 5 000 PSI **Index of protection: IP67**

| P | | M5 Miniature Pressure Sensor | | | | | | | | | | | | | |
|----------|-------------|------------------------------|--------------------|---------------------------------|--|---------------------|----------------------|--------------------------------------|------------------------------------|--|--|--|--|--|--|
| | Code | Pressure Type | | | | | | | | | | | | | |
| | R | Relative pressure | | | | | | | | | | | | | |
| | S | Sealed pressure | | | | | | | | | | | | | |
| | A | Absolute pressure | | | | | | | | | | | | | |
| | | Code | Description | | | | | | | | | | | | |
| | | M5 | Thread | | | | | | | | | | | | |
| | | | Code | Output model | | | | | | | | | | | |
| | | | C | Cable output model | | | | | | | | | | | |
| | | | M | Connector output (CMR-O2-E-04P) | | | | | | | | | | | |
| | | | | Code | Description | | | | | | | | | | |
| | | | | xP | Measuring range in PSI (<i>See Specifications Table</i>) | | | | | | | | | | |
| | | | | xB | Measuring range in BAR (<i>See Specifications Table</i>) | | | | | | | | | | |
| | | | | | Code | Model | | | | | | | | | |
| | | | | | mV | Low level output | | | | | | | | | |
| | | | | | 4V | Amplified output 4V | | | | | | | | | |
| | | | | | | Options | | | | | | | | | |
| | | | | | | Code | Cable length | | | | | | | | |
| | | | | | | None | 2m (standard) | | | | | | | | |
| | | | | | | xM | x = length in meters | | | | | | | | |
| | | | | | | xF | x = length in feet | | | | | | | | |
| | | | | | | | Code | Compensated temperature range | | | | | | | |
| | | | | | | | None | 0°C to +60°C (standard) | | | | | | | |
| | | | | | | | C1 | -40°C to +60°C | | | | | | | |
| | | | | | | | C2 | -40°C to +120°C | | | | | | | |
| | | | | | | | | Code | Index of protection | | | | | | |
| | | | | | | | | None | IP50 (standard) | | | | | | |
| | | | | | | | | P65 | IP65 | | | | | | |
| | | | | | | | | P67 | IP67 | | | | | | |
| P | R | M5 | C | xP | mV | xM | C1 | P67 | Complete Type Specification | | | | | | |

The information provided herein is to the best of our knowledge true and accurate, it is provided for guidance only. All specifications are subject to change without prior notification.

Althen is the innovative sensor expert that creates integrated sensor and measurement solutions for the creators of tomorrow | althensensors.com

We create integrated sensor and measurement solutions. In addition we offer services such as calibration, repairs, design & engineering, training and renting of measurement equipment.

Benelux
sales@althen.nl

Germany/Austria/Switzerland
info@althen.de

France
info@althensensors.fr

Sweden
info@althensensors.se

USA/Canada
info@althensensors.com

Other countries
info@althensensors.com