



bar **P-M8X1 Series**

This miniature pressure sensor is designed to perform static and dynamic measurements in a corrosive environment. The internal cell sensor is compatible with a large number of corrosive or conducting fluids. As option we can propose an integrated electronic system enables to deliver an analogical tension signal. First sensor is given for 0 to 1 bar but we can extend to more than 100 bar depending of the application.



**SPECIFICATIONS**

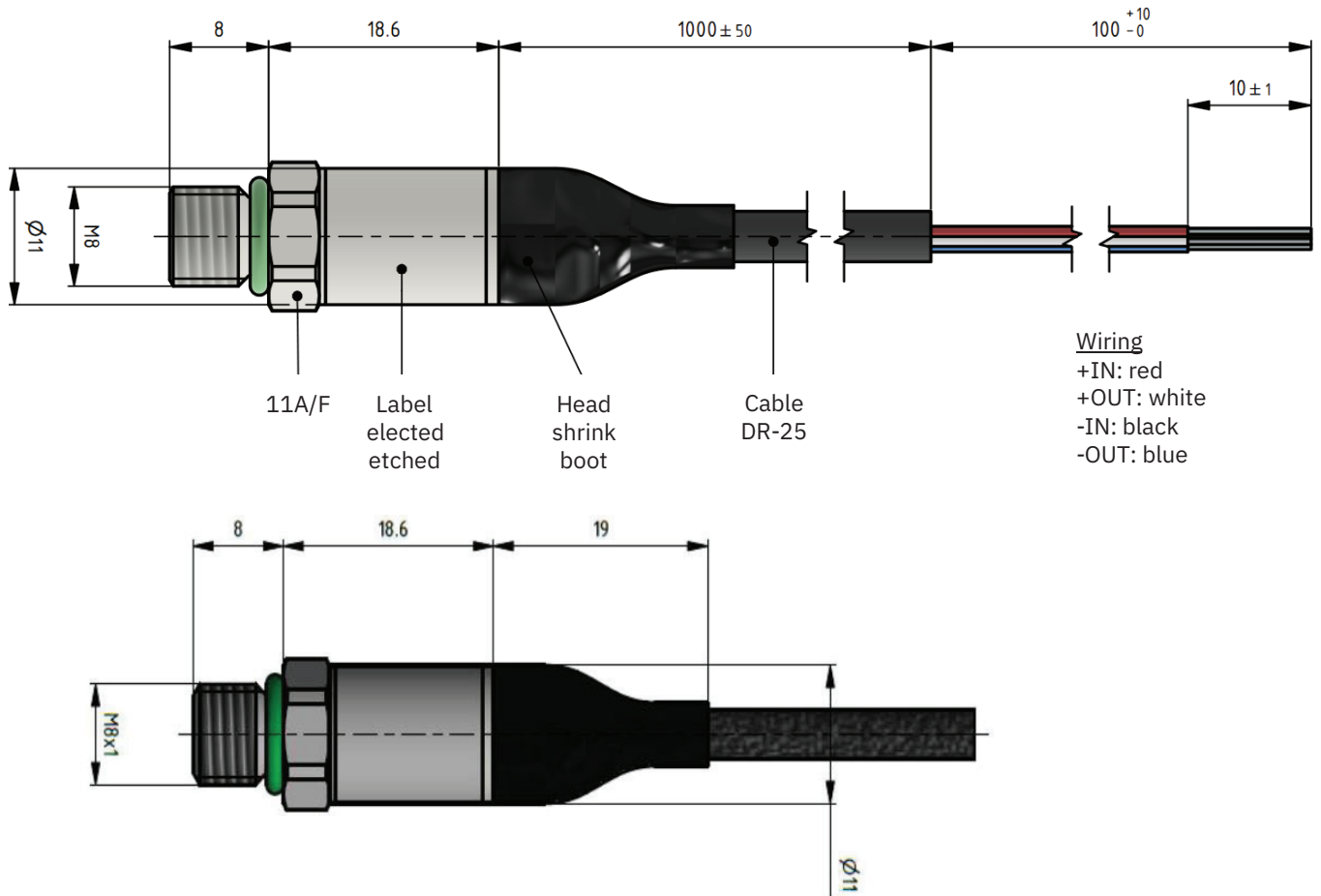
Parameter	Min.	Typ.	Max.
<b>INPUT</b>			
Pressure, measuring range <sup>1</sup>	0 bar g	-	1 bar g
Pressure overload (rated) <sup>2</sup>	-	-	2x
Pressure, burst (rated) <sup>3</sup>	-	-	3x
Power supply UB	-	10 VDC	15 VDC
Input impedance	10 kΩ	-	-
<b>OUTPUT</b>			
Output signal, zero	-5 mV	0	5 mV
Output signal, full scale	90 mV	100 mV	110 mV
Output impedance	2.5 kΩ	3 kΩ	4.5 kΩ
Accuracy <sup>4</sup>	-0.2 (%FS)	-	0.2 (%FS)
Dielectric strength <sup>5</sup>	100 MΩ	-	-
Long term stability	-	0.2 (% FS / year)	-
<b>ENVIRONMENTAL</b>			
Temperature, compensated	0 °C	-	60 °C
Temperature, operating	0 °C	-	100 °C
Temperature, storage	-40 °C	-	150 °C
Thermal shift, zero	-0.03 (%FS / °C)	-	0.03 (%FS / °C)
Thermal shift, sensitivity	-0.02 (% / °C)	-	0.02 (% / °C)
<b>PHYSICAL</b>			
Natural frequency	-	35 kHz	-
Electrical connection	Cable, 1 m, shielded, 4 AWG 26 wires		
Wiring	+IN (rd), -IN (bk), +OUT (wh), -OUT (bl) -		
Pressure port	M8 x 1 male		
Dimensions	see drawing (mm)		
Wetted materials	Stainless steel 316L		
Sealing	Viton o-ring		
Ingress protection rating	IP67		
Label Serial number	(Laser engraved / electro-etched)		
Weight (incl. cable)	-	-	40 g

10/06/2026 | version 0001

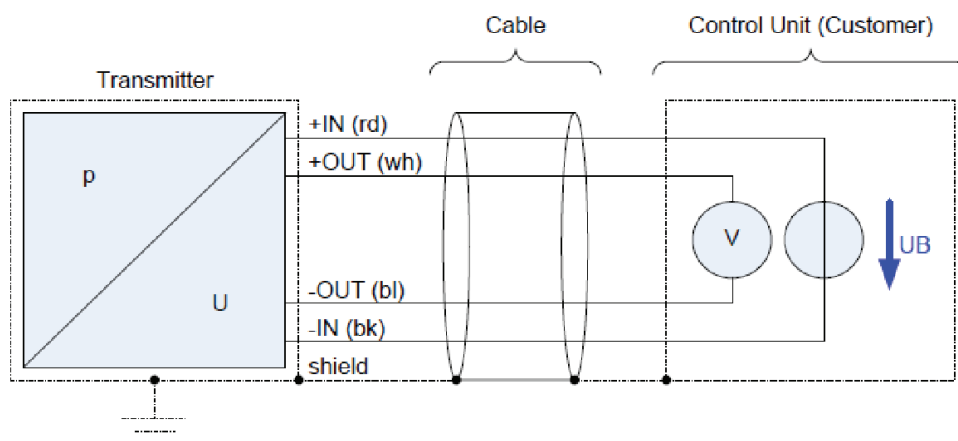
**SPECIFICATIONS (CONTINUED)**

- <sup>1</sup>Maximum measuring range equals rated pressure range
- <sup>2</sup>Maximum pressure that can be applied without changing the devices performance
- <sup>3</sup>Maximum pressure that can be applied without rupture of either transmitter or transducer
- <sup>4</sup>Including non-linearity, hysteresis, repeatability and setting errors at ambient temperature (25 °C)
- <sup>5</sup>Measured at 50 VDC

**DIMENSIONS (IN MM)**



**WIRING**



**ORDER GUIDE**

P		Miniature Pressure Transmitter					
		<b>Code</b>	<b>Pressure Type</b>				
		A	Absolute pressure				
		R	Relative pressure				
			<b>Code</b>	<b>Description</b>			
			M8	Thread			
				<b>Code</b>	<b>Description</b>		
				xP	Measuring range in PSI		
				xB	Measuring range in BAR		
					<b>Code</b>	<b>OUTPUT</b>	
					5V	Amplified output 5V	
					mV	Low level output	
					mA	4 – 20 mA output	
					<b>Options*</b>		
P	A	M8	C	xP	mV	Complete Type Specification	

\* For Options, Consult Mesurex at [mesurex@mesurex.fr](mailto:mesurex@mesurex.fr)