



A800P Portable Tiltmeter

Model A800P Portable Tiltmeter is an economical hand-held instrument for a wide variety of monitoring and measurement applications. It offers precision and repeatability previously unavailable in an instrument of this type. Applications include monitoring the long-term deformation of structures and foundations, measuring mechanical response to applied loads, and surveying surface level and flatness. With the Tilt Plate Option, measurements are taken from tilt plates that have been cemented or bolted to any horizontal or vertical surface-. Indexing bars on the bottom and sides of the tiltmeter enable you to reposition it exactly, every time.

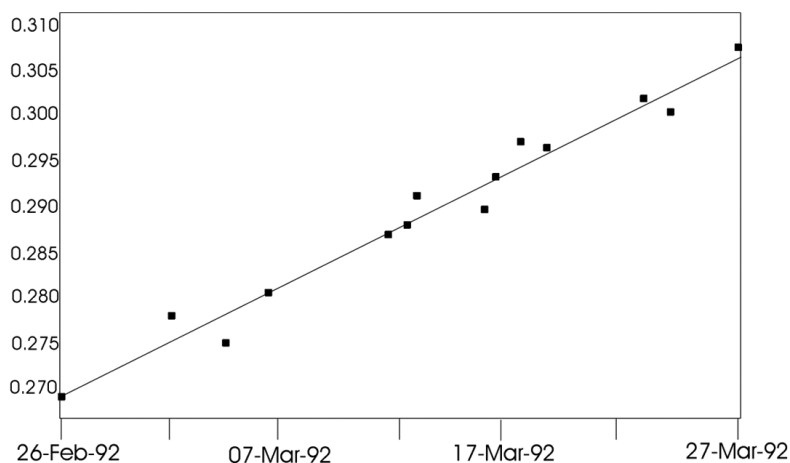


The complete A800P Portable Tiltmeter system includes the following components:

- Surface Flatness
- Model A800P Portable Tiltmeter
- Model A870 Readout Module with batteries and 1.5 meter (5 ft) cable
- 4-digit multimeter for data display
- Multimeter probes for other multimeter uses
- Padded, unbreakable carrying case

When using tilt plates, the following may be ordered for each project:

- Ceramic tilt plates (P/N 1263)
- Stainless Steel tilt plates (P/N 1273)
- Protective covers for tilt plates (P/N 84041)
- Tilt plate cement



Retaining wall tilt measured with Portable Tiltmeter Tilt Plate



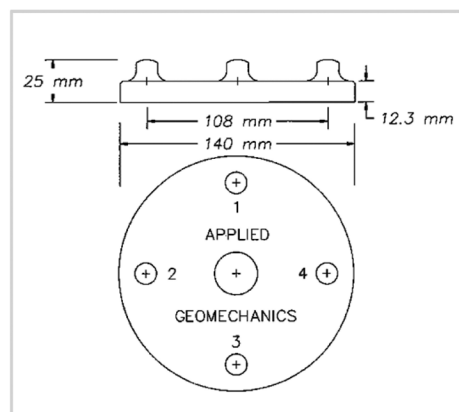
■ MODEL A800P PORTABLE TILTMETER

| Model 800P Portable Tiltmeter | |
|-------------------------------|---|
| Output Channels | Inclination, Temperature |
| Resolution | 0.0001 arc degree (0.36 arc second) |
| Repeatability | ±0.004° typical |
| Angular Range | ±5° from null position |
| Non-Linearity | 1% of full scale |
| Filtering | 2-pole Butterworth low-pass filter for removing noise from vibration or jitter |
| Environmental | -25° to +70° operational, -30° to +100° storage. Sealed for use in damp environments; nonsubmersible. |
| Dimensions | 143 x 102 x 127 mm (5.6 x 4 x 5 inches) |
| Weight | 2.7 kg (6 lb) |
| Materials | Stainless steel; plastic sensor housing |

Specifications subject to change without notice on account of continued product development



Model 800P System



Tilt Plate



■ **MODEL A800P READOUT MODULE**

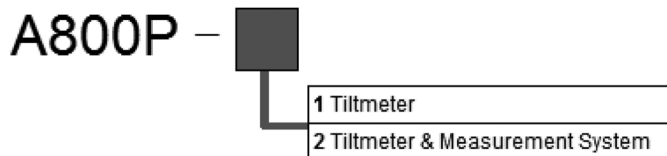
| Model 800P Readout Module | |
|---------------------------|---|
| Function | Powers tiltmeter, switches tiltmeter output to digital multimeter |
| Resolution | Using four-digit multimeter: 0.001 arc degree (3.6 arc seconds) at tilt greater than 1 arc degree, 0.0001 arc degree (0.36 arc second) at tilt less than 1 arc degree |
| Power | One 9-volt battery provides up to 24 hours of continuous tiltmeter operation |
| Size | 111 x 62 x 32 mm (4.4 x 2.4 x 1.3 inches) with 1.5 m (5 ft) cable |
| Weight | 285 g (0.6 lb) including batteries |
| Materials | ABS plastic |

Specifications subject to change without notice on account of continued product development



800P Readout Unit

■ **ORDERING CODE**



■ **ACCESSORIES**

| Useful Accessories | |
|--------------------|--|
| NO### | PVC jacketed cable, 6 mm dia. (see reverse) specify length |
| SO-20/6 | Neoprene cable, 9 mm dia. (see reverse) specify length |
| SPLICE | Waterproof cable splice |