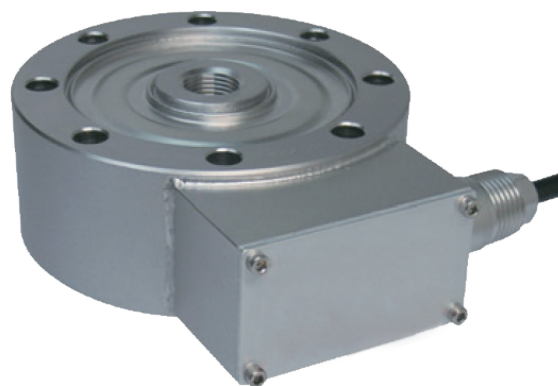


kg ADSCHR / ADSCHSR SERIES
Compression & tension / low profile load cell (1t ~ 20t)

The model ADSCH(S)R is a low profile tension and compression pancake type load cell. All units are machined from a solid billet and sealed with welded diaphragms.

FEATURES

- Alloy steel or stainless steel (17-4PH) construction for high accuracy and corrosion resistance
- Hermetically sealed
- High rated output(3mV/V)

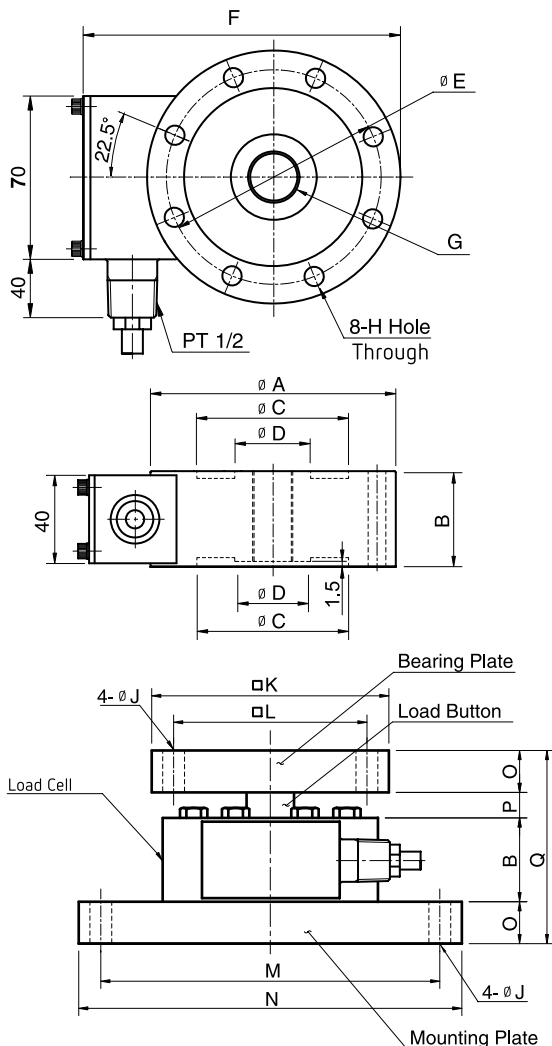


SPECIFICATIONS

MODEL	ADSCHR	ADSCHSR
Material	Alloy steel	Stainless steel
Rated capacity (R.C.)	1, 2, 3, 5, 10, 20t	
Rated output (R.O.)	3.0mV/V ± 0.2%	
Non-linearity	≤ 0.05% R.O.	
Hysteresis	≤ 0.05% R.O.	
Non-repeatability	≤ 0.02% R.O.	
Creep error	≤ 0.03% in 20min.	
Zero balance	≤ 1% R.O.	
Compensated temperature range	-10 ~ 70 °C	
Operating temperature range	-20 ~ 80 °C	
Temp. effect on rated output	≤ 0.03% LOAD/10 °C	
Temp. effect on zero balance	≤ 0.03% R.O./10 °C	
Terminal input resistance	350 Ohms ±3.5 Ohms	
Terminal output resistance	350 Ohms ±5 Ohms	
Insulation resistance (Min.)	2000 MOhms at 50V DC	
Excitation voltage	3~12V(Recommended), 15V(Max.)	
Electrical connection	∅ 7mmx6m(22AWG x 4Core Shielded)	
Protection class	meets IP 67	meets IP 68
Safe overload	150% R.C	
Ultimate overload	300% R.C	



DIMENSION-mm



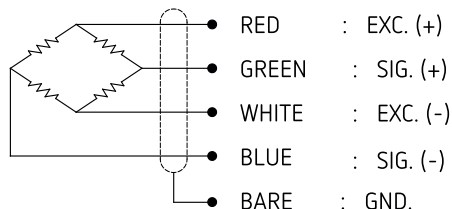
ORDERING INFORMATION

ADSCHR - **2T**

MODEL: ADSCHR : Painted Alloy Steel
ADSCHSR : Stainless Steel (17-4PH)

CAPACITY: 1, 2, 3, 5, 10, 20ton

WIRING INFORMATION



Rated Capacity	A	B	C	D	E	F	G	H	J	K	L	M	N	O	P	Q	Weight (kg)
1, 2t (9.807kN, 19.61kN)	112	46	81	27	96	147	M16x2P	6.5	12	130	106	185 x 105	210 x 130	23	13	105	4
3, 5t (29.42kN, 49.03kN)	118	46	86	34	100	153	M18x1.5P	9	12	130	106	185 x 105	210 x 130	23	15	107	4
10t (98.07 kN)	138	60	98	50	116	180	M24x2P	11	14	160	126	125 x 125	160 x 160	30	20	140	6
20t (196.1 kN)	182	70	128	74	154	228	M39x2P	14	14	200	150	160 x 160	200 x 200	30	35	165	12

* Specifications are subject to change without notice